

FRAME DIMENSION

	Page
FJ, BJ, HJ6 – SERIES	11-2
FJ40, BJ40 · 42 SERIES	11-4
FJ43, BJ43 · 46 SERIES	11-6
FJ45, BJ45, HJ47 SERIES	11-8

FJ, BJ, HJ6-SERIES

Fig. 11-1

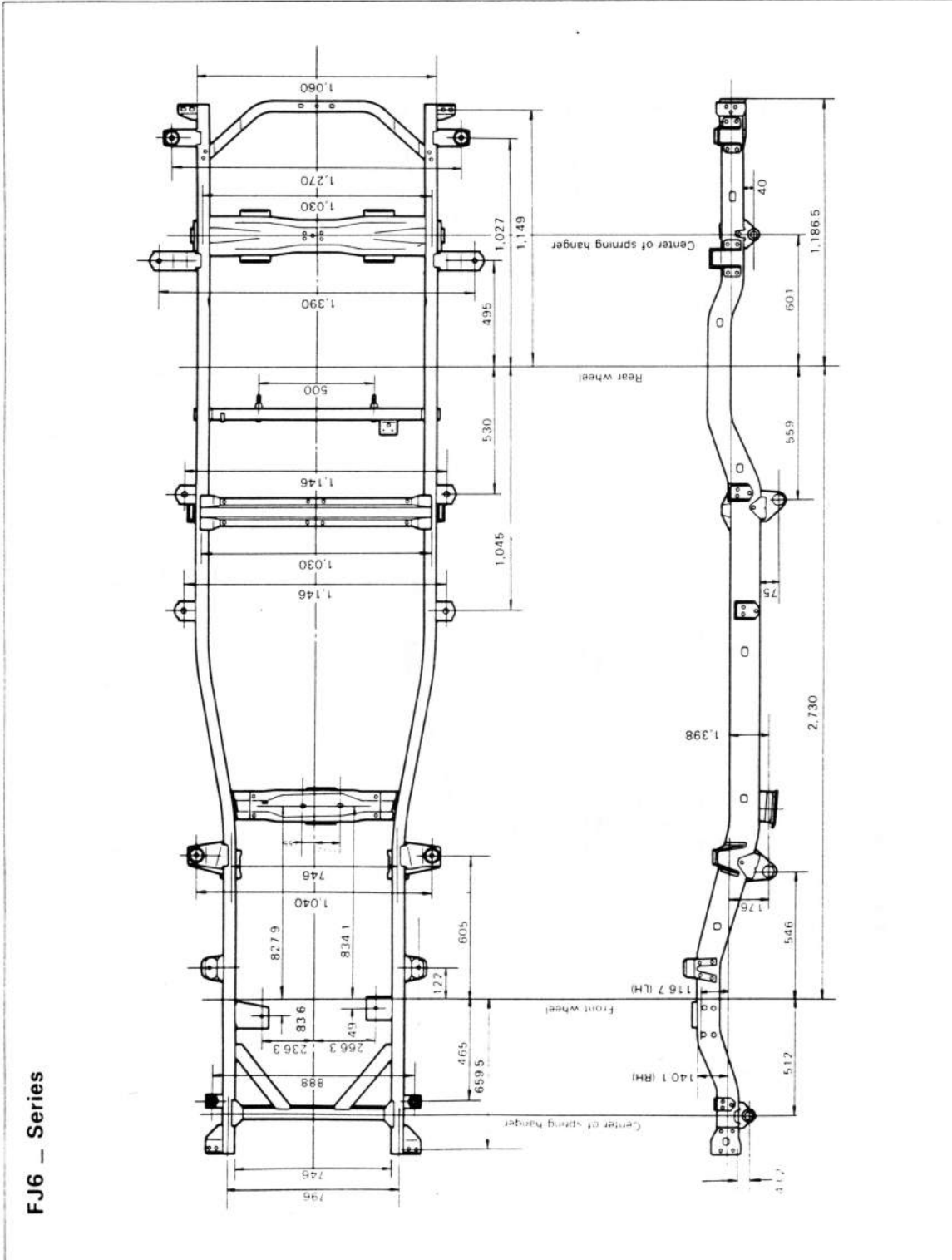
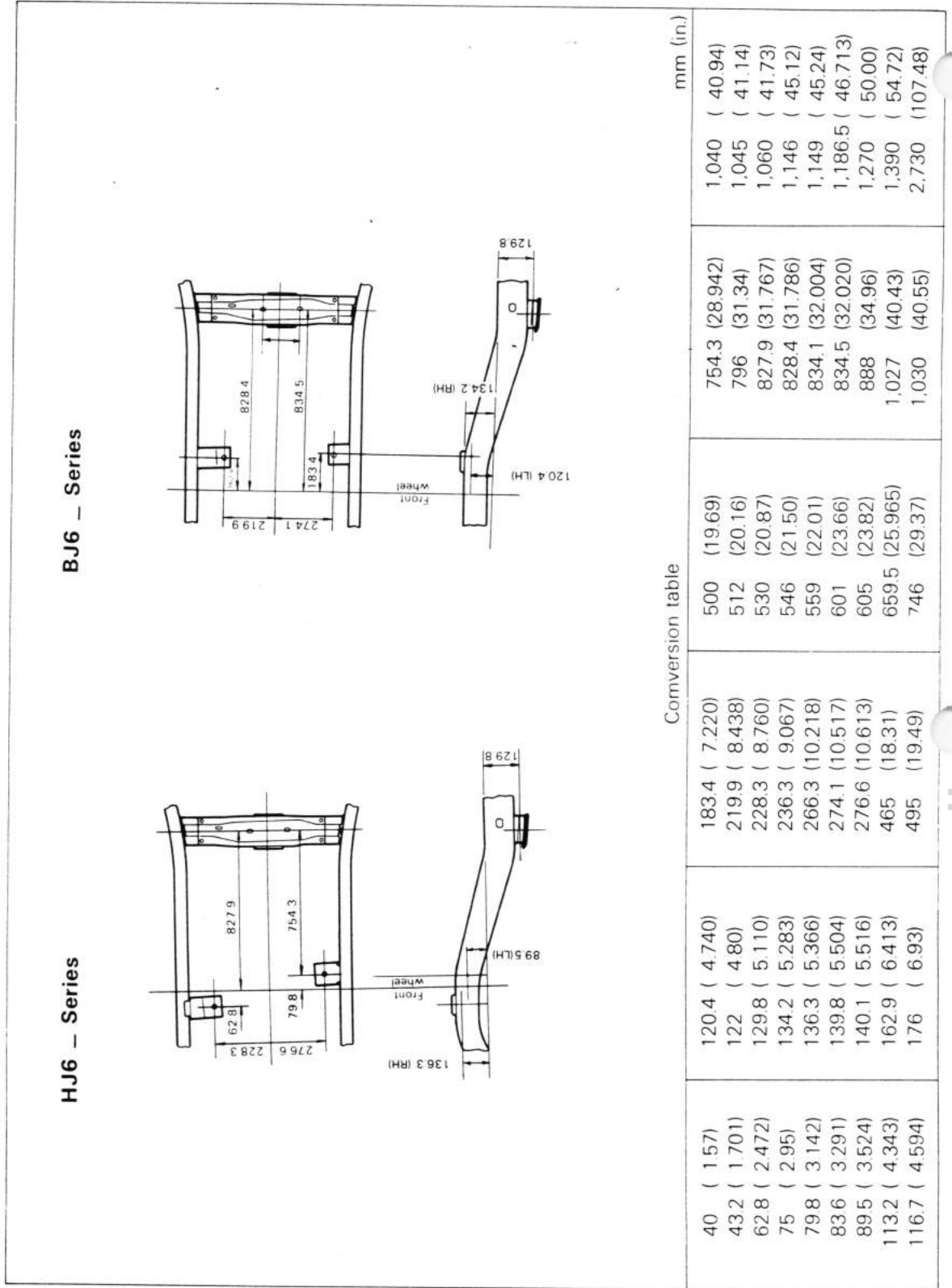


Fig. 11-2



FJ40, BJ40 · 42 SERIES

Fig. 11-3

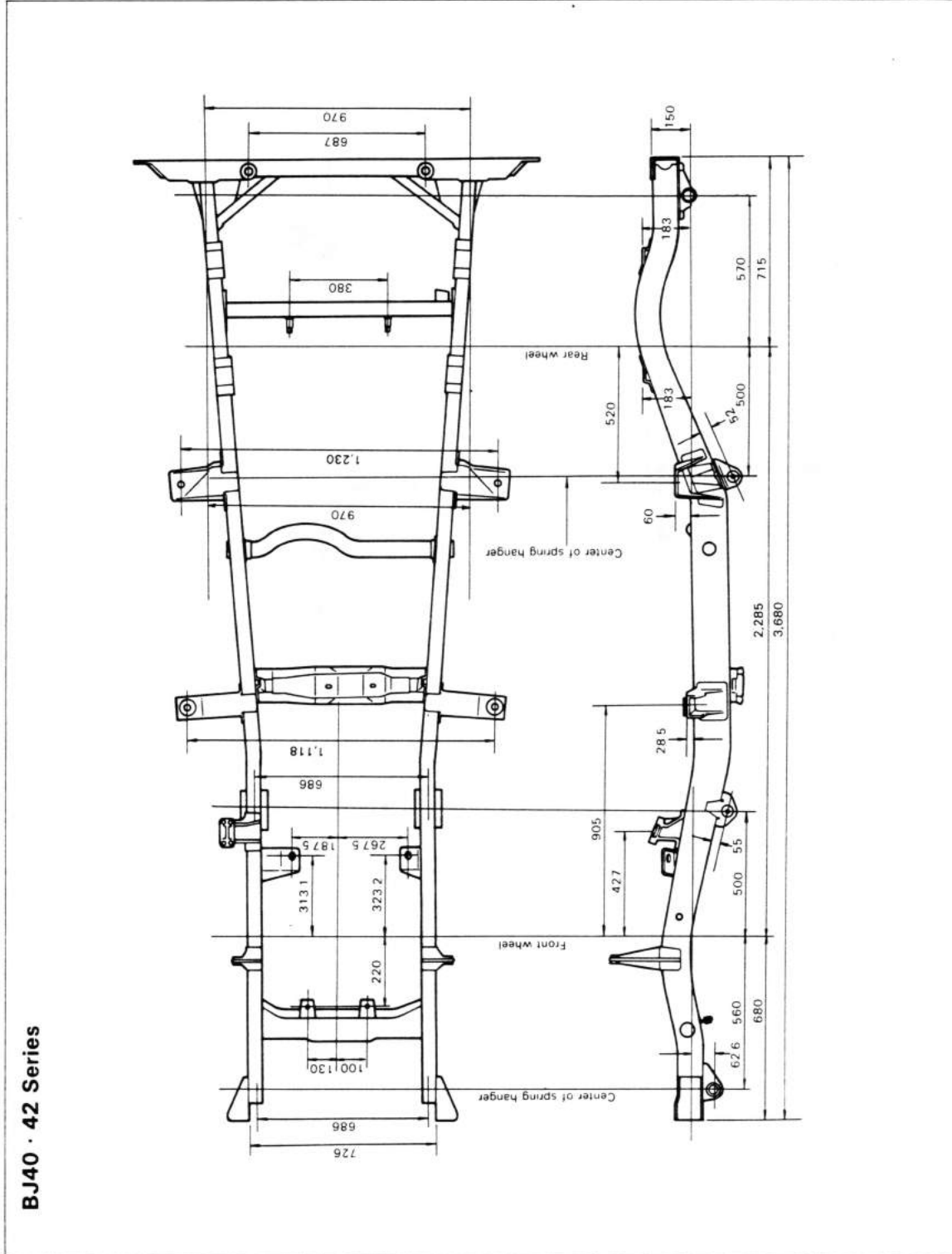
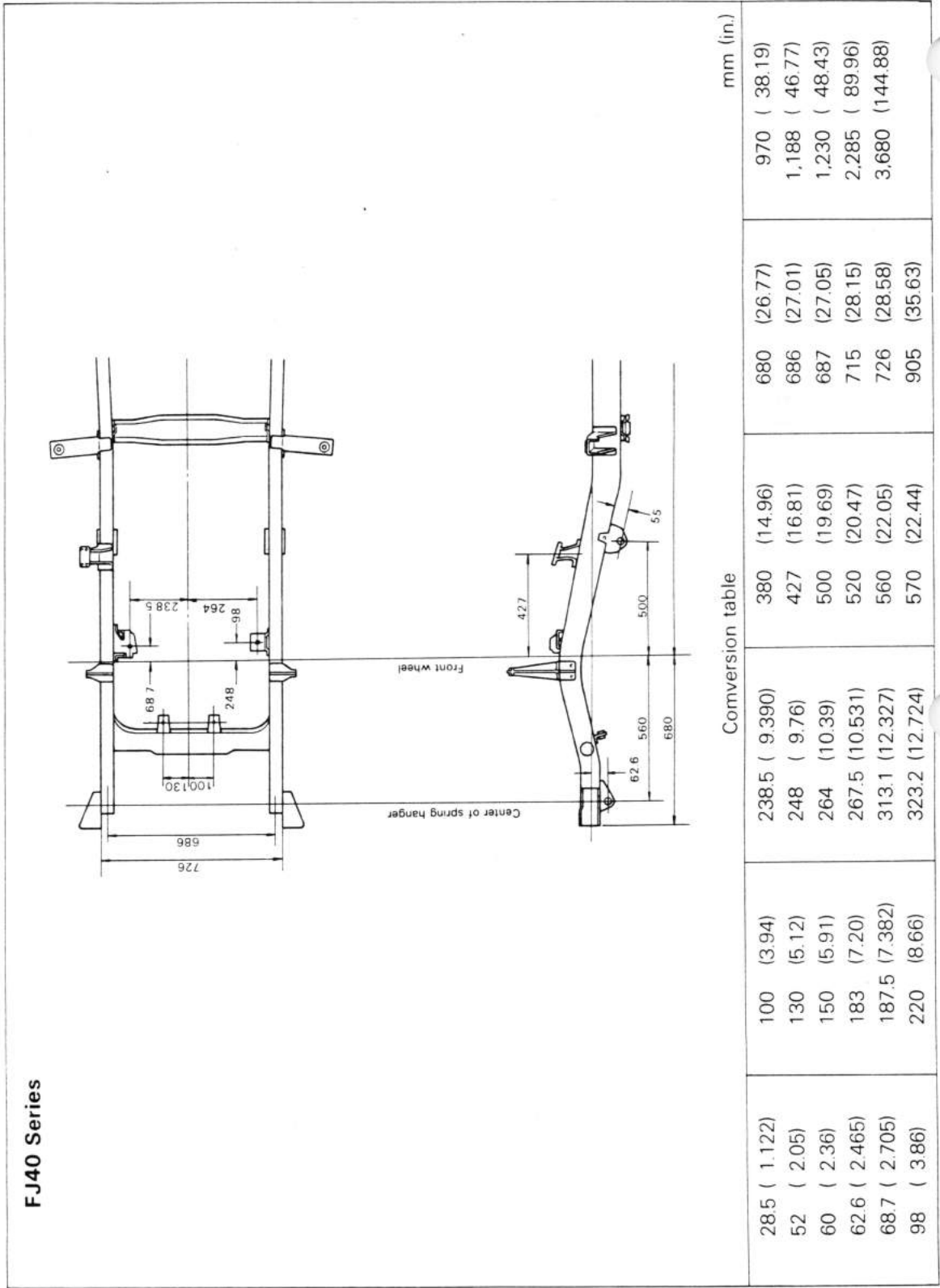


Fig. 11-4



FJ43, BJ43 · 46 SERIES

Fig. 11-5

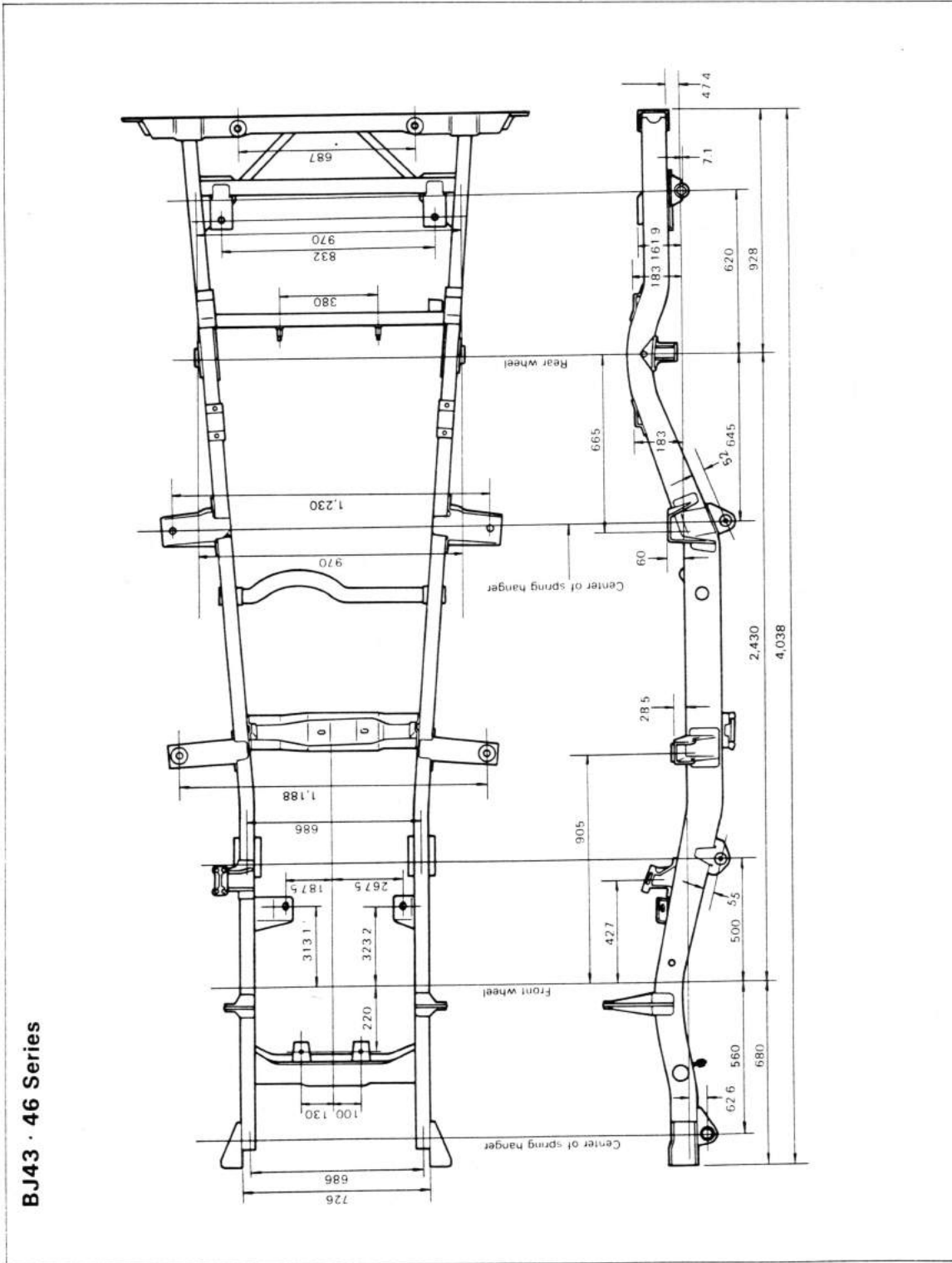
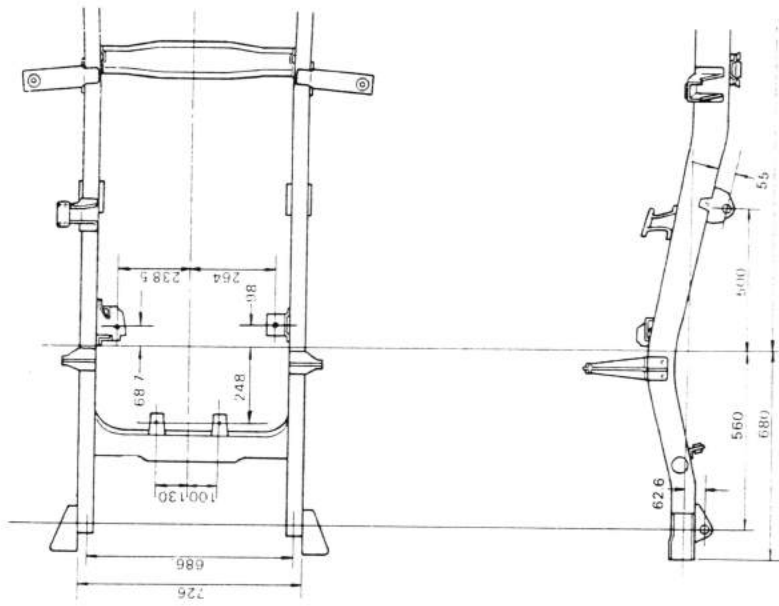


Fig. 11-6

FJ43 Series

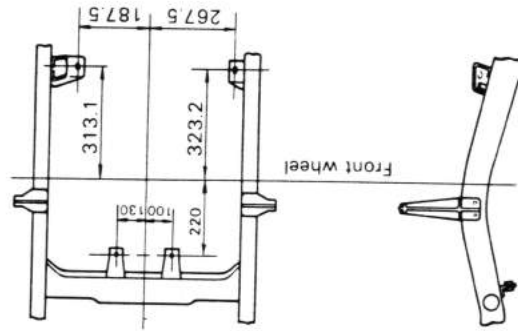


Conversion table

	Conversion table				mm (in)	
7.1 (0.280)	220 (8.66)	380 (14.96)	680 (26.77)	1,230 (48.43)	680	1,230
28.5 (1.122)	238.5 (9.390)	427 (16.81)	687 (27.05)	1,188 (46.77)	687	1,188
47.5 (1.866)	248 (9.76)	500 (19.69)	726 (28.58)	2,430 (95.67)	726	2,430
52 (2.05)	264 (10.39)	570 (22.44)	832 (32.76)	4,038 (158.98)	832	4,038
55 (2.17)	267.5 (10.531)	620 (24.41)	905 (35.63)		905	
60 (2.36)	313.1 (12.367)	645 (25.39)	928 (36.54)		928	
62.6 (2.465)	323.2 (12.724)	665 (26.18)	970 (38.19)		970	

Fig. 11-8

BJ45 Series



Conversion table

	Conversion table		mm (in.)	
28.5 (1.122)	98 (3.86)	238.5 (9.390)	427 (16.81)	1,130 (44.49)
50 (1.97)	100 (3.94)	248 (9.76)	464 (18.27)	1,138 (44.80)
52 (2.05)	130 (5.12)	264 (10.39)	500 (19.69)	1,188 (46.77)
55 (2.17)	139.5 (5.492)	267.5 (10.53)	560 (22.05)	1,230 (48.43)
60 (2.36)	140 (5.51)	313.1 (12.327)	610 (24.02)	1,765 (69.49)
62.6 (2.46)	187.5 (7.382)	323.2 (12.724)	620 (24.41)	2,950 (116.14)
68.7 (2.70)	220 (8.66)	380 (14.96)	645 (25.39)	4,760 (187.40)