
LUBRICATION SYSTEM

	Page
TROUBLESHOOTING	LU-2
OIL PRESSURE CHECK	LU-2
REPLACEMENT OF ENGINE OIL AND OIL FILTER	LU-3
OIL PUMP	LU-4

REPLACEMENT OF ENGINE OIL AND OIL FILTER

1. DRAIN ENGINE OIL

Remove the oil drain plug and drain the oil into a container.

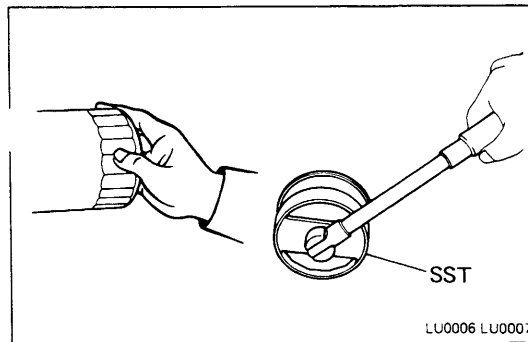
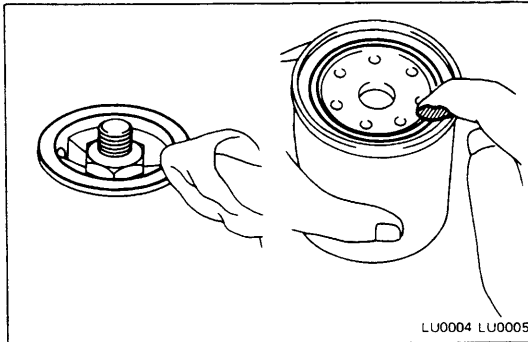
2. REPLACE OIL FILTER

(a) Using SST, remove the oil filter (located on right side of the engine block).

SST 09228-44010

(b) Inspect and clean the oil filter installation surface.

(c) Apply clean engine oil to the gasket of the new oil filter.



(d) Lightly screw in the oil filter to where you feel resistance.

(e) Then, using SST, tighten the oil filter an extra 3/4 turn.

SST 09228-44010

3. FILL WITH ENGINE OIL

(a) Clean and install the oil drain plug with a new gasket.

(b) Fill the engine with new oil API grade SF or SF/CC, multigrade, fuel efficient and recommended viscosity oil.

Oil capacity:

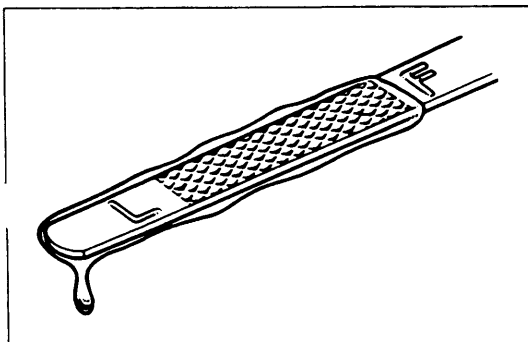
Dry fill	4.8 liters (5.1 US qts, 4.2 Imp. qts)
Drain and refill	
w/o Oil filter change	4.0 liters (4.2 US qts, 3.5 Imp. qts)
w/ Oil filter change	4.6 liters (4.9 US qts, 4.0 Imp. qts)

4. START ENGINE AND CHECK FOR LEAKS

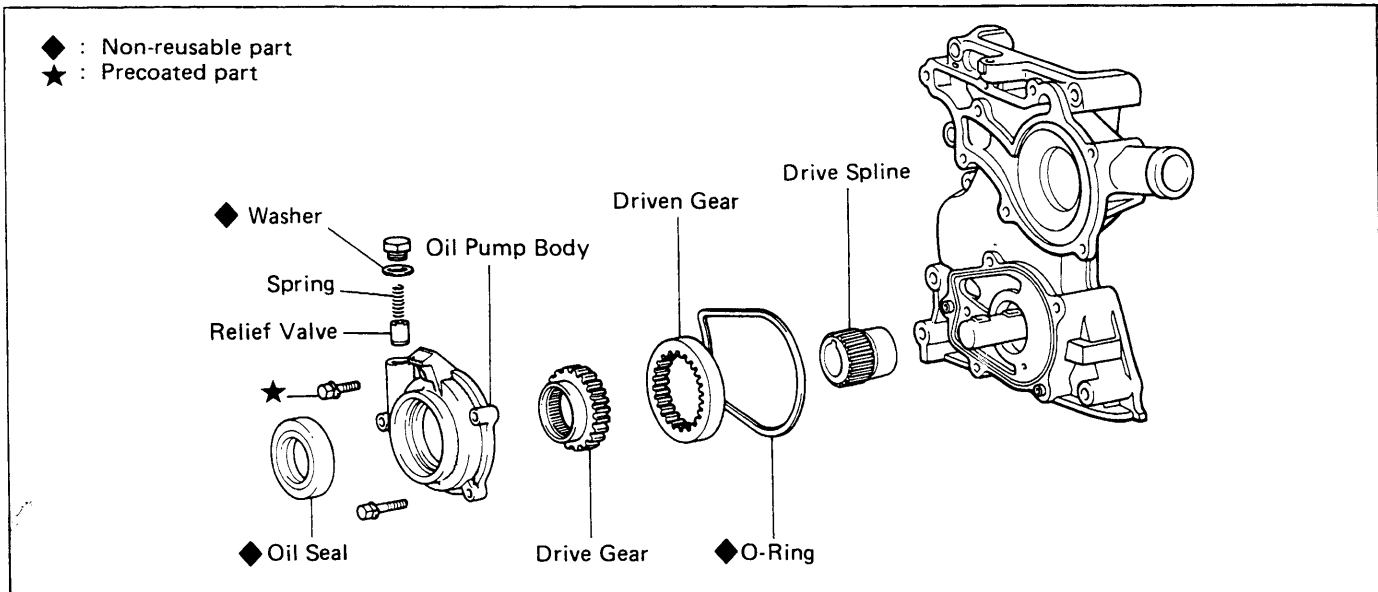
5. RECHECK ENGINE OIL LEVEL

Recheck the engine oil level and refill as necessary.

NOTE: Insert the oil level gauge with the curved tip pointed toward the engine.



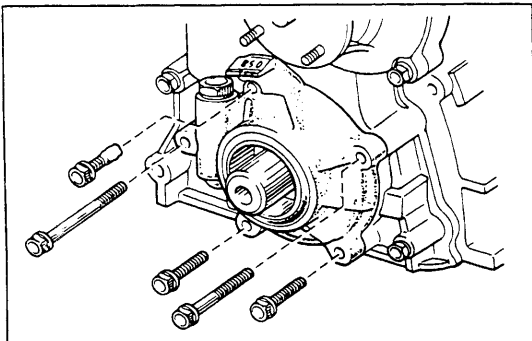
OIL PUMP COMPONENTS

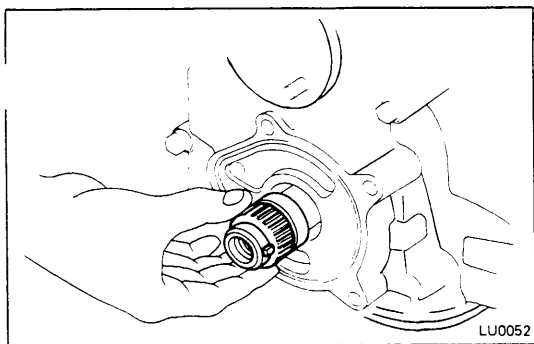


REMOVAL AND DISASSEMBLY OF OIL PUMP

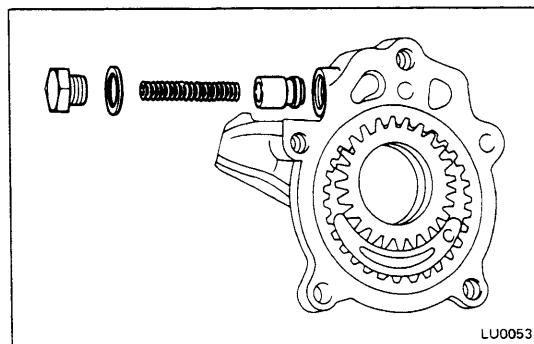
NOTE: When repairing the oil pump, the oil pan and strainer should be removed and cleaned.

1. **REMOVE OIL PAN (ON-VEHICLE)**
(See step 3 on page EM-40)
2. **REMOVE OIL STRAINER**
Remove the four bolts holding the oil strainer.
3. **REMOVE DRIVE BELTS**
4. **REMOVE CRANKSHAFT PULLEY**
(See step 3 on page EM-41)
5. **REMOVE OIL PUMP ASSEMBLY**
Remove the five bolts and the oil pump assembly.



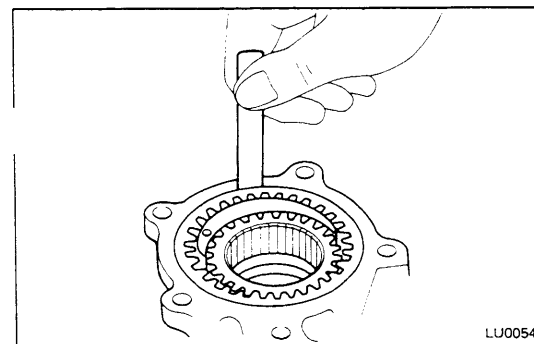


6. REMOVE OIL PUMP DRIVE SPLINE AND O-RING



7. DISASSEMBLE OIL PUMP ASSEMBLY

- (a) Unscrew the relief valve plug, and remove the spring and the relief valve piston.
- (b) Remove the drive and the driven gears.



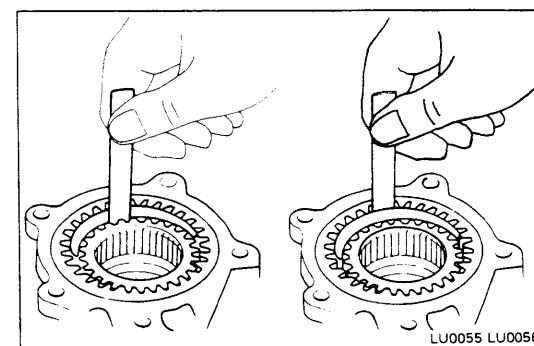
INSPECTION OF OIL PUMP

1. MEASURE BODY CLEARANCE

Using a feeler gauge, measure the clearance between the driven gear and body.

If the clearance is greater than the maximum, replace the gear and/or body.

Maximum clearance: 0.2 mm (0.008 in.)

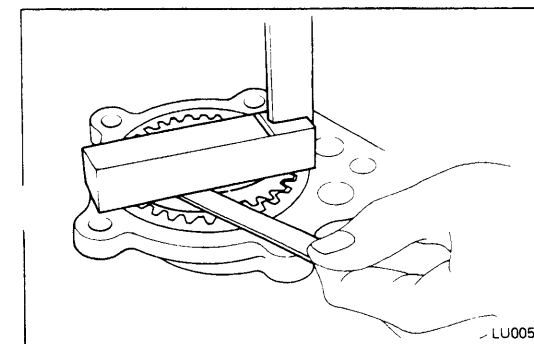


2. MEASURE TIP CLEARANCE

Using a feeler gauge, measure the clearance between both gear tips and the crescent.

If the clearance is greater than the maximum, replace the gears and/or body.

Maximum clearance: 0.3 mm (0.012 in.)

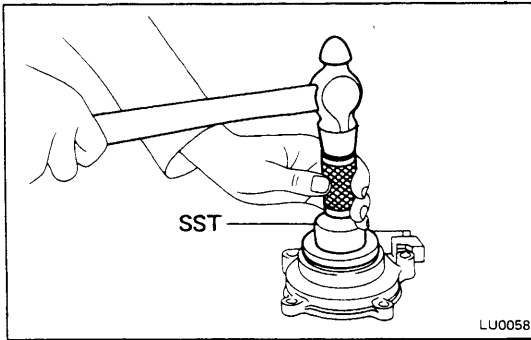


3. MEASURE SIDE CLEARANCE

Using a feeler gauge and a flat block, measure the side clearance as shown.

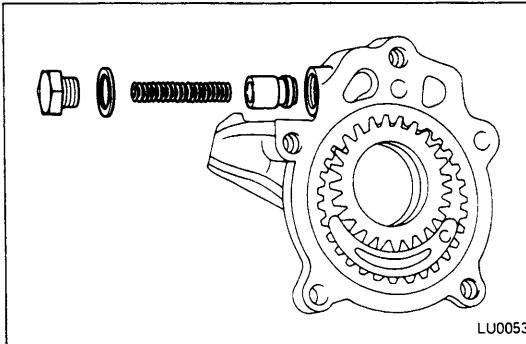
If the clearance is greater than the maximum, replace the gears and/or body.

Maximum clearance: 0.15 mm (0.0059 in.)



REPLACE FRONT OIL SEAL

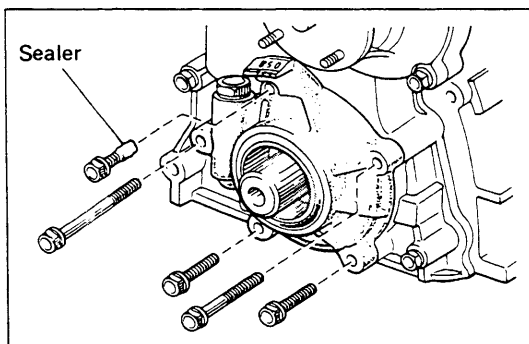
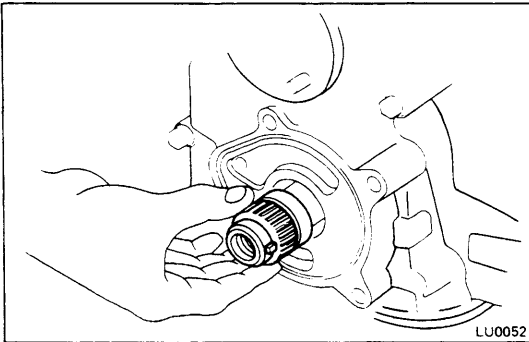
1. **REMOVE OIL SEAL**
Remove the oil seal with a small screwdriver.
2. **INSTALL OIL SEAL**
Drive in the new oil seal with SST.
SST 09223-50010



ASSEMBLY AND INSTALLATION OF OIL PUMP

(See page LU-4)

1. **ASSEMBLE OIL PUMP ASSEMBLY**
 - (a) Install relief valve piston and the spring in the body, and screw on the relief valve plug with the gasket.
 - (b) Insert the drive and driven gears into the pump body.
2. **INSTALL OIL PUMP DRIVE SPLINE AND O-RING**
 - (a) Slide the pump drive spline onto the crankshaft.
 - (b) Place the O-ring into the groove.



3. **INSTALL OIL PUMP**
Apply the sealer to the upper bolt and tighten the five bolts.
4. **INSTALL FOLLOWING ITEMS:**
 - (a) Clean oil strainer with four bolts.
 - (b) Clean oil pan and cylinder block. (See step 10 on page EM-46)
 - (c) Crankshaft pulley. (See step 8 on page EM-45)
 - (d) Drive belts. (See step 9 on page EM-45)