

BEHR

AIR CONDITIONER



Replacement Parts List for Behr Air Conditioner

BMW 320i 1977-1983

Distributed by.

BMW Of North America, Inc.

Headquarters:

5020 AUGUSTA DRIVE
FORT WORTH, TEXAS 76106
PHONE: (817)624-7273
TELEX: 758434

Eastern
Distribution Center

348 B. EVELYN ST.
PARAMUS, N.J. 07652
PHONE: (201)967-5240
TELEX: 130337

Western
Distribution Center

17141 S. KINGSVIEW AVE.
CARSON (L.A.), CALIF. 90746
PHONE: (213)532-5390
TELEX: 698253

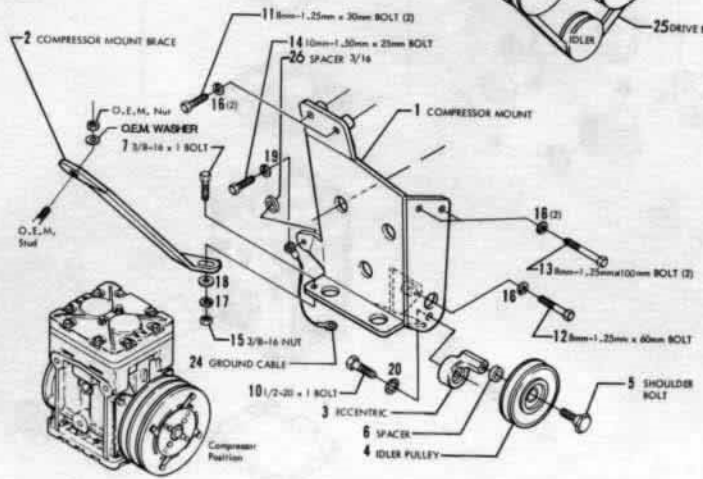
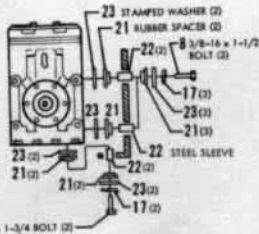
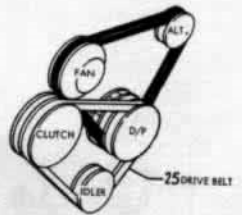
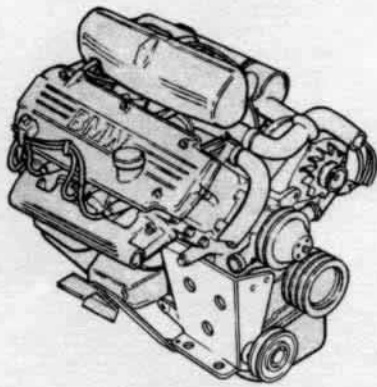
8.31.82

TABLE OF CONTENTS

SECTION :	FIGURE:	INDEX #	PAGES:	APPLICATION						
				77	78	79	80	81	82	83
Compressor Mount and Drive Kit	I	04-007	1	X	X	X	X	X	X	X
Compressor and Clutch Replacement Parts	II	04-008	1	X	X	X	X	X	X	X
Condenser, Drier, and Hoses	III	04-009	1	X	X					
	III	04-010	1			X	X	X	X	X
Evaporator, Air Ducts and Interior Parts	IV	04-011	2	X	X					
	IV	04-012	1			X	X	X	X	X

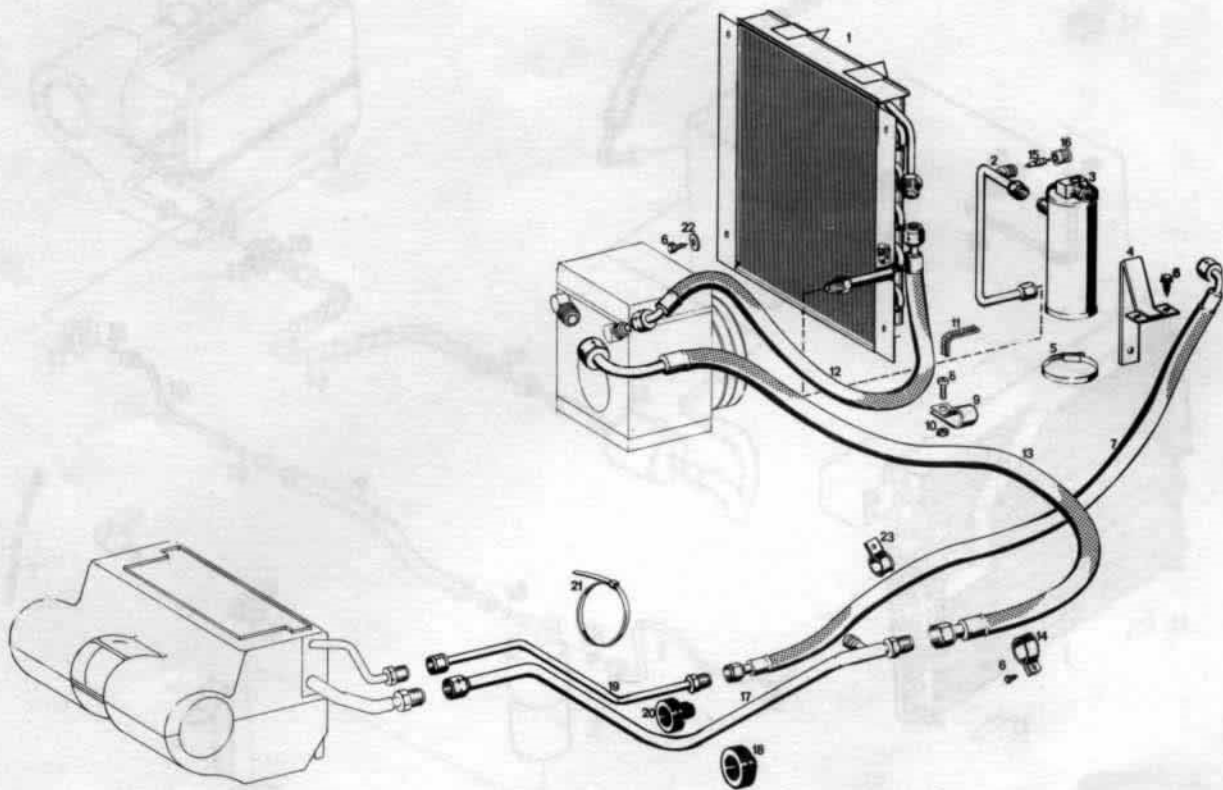
- SYMBOLS:** * = Standard hardware, should not be ordered
 N/A = Not available / No longer available
 RPL = Replaced by, followed by new position number
 (1) = See footnote on end of section for additional information
 Ni = Not illustrated, part used, but not shown on illustration

NOTE: This replacement parts list covers only parts for subsequently installed BEHR Air Conditioners - supplied by BEHR OF AMERICA, INC. -.
 The model years noted in the list apply only to the installation of the air conditioner system, and not necessarily to the model year of the vehicle.

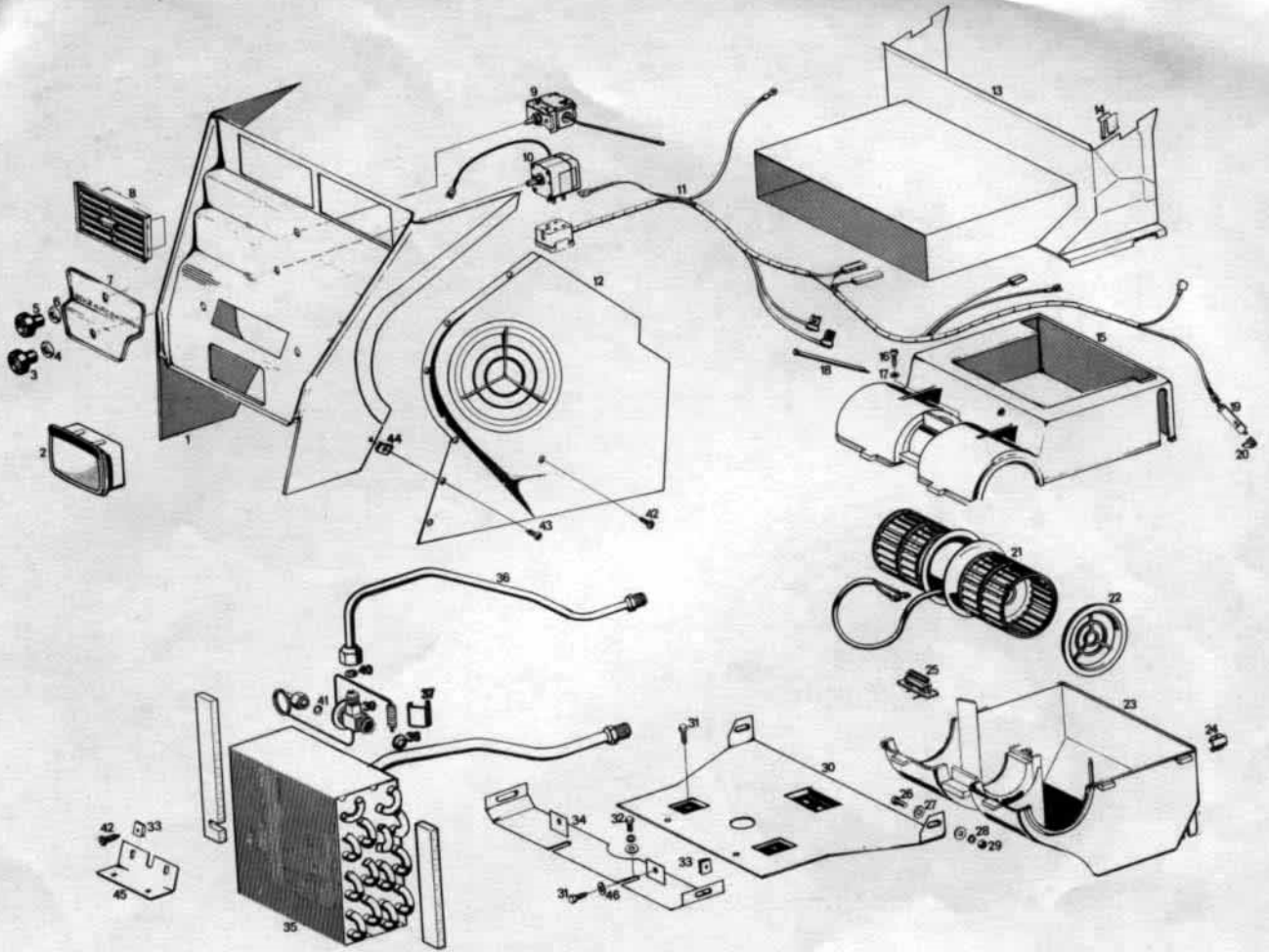


8 3/8-16 x 1-3/4 BOLT (2)

Pos.	BMW PART NUMBER:	Description:	BEHR PART NUMBER:	77	78	79	80	81	82	83
1	84 01 0 704 071	compressor mount	70 107 04 071	1	1	1	1	1	1	1
2	84 01 0 704 069	brace, compressor mount	70 107 04 069	1	1					
2	84 01 1 704 148	brace	70 107 04 148			1	1	1	1	1
3	84 01 0 704 070	eccentric	70 107 04 070	1	1	1	1	1	1	1
4	84 06 2 501 109	idler pulley	70 625 01 109	1	1	1	1	1	1	1
5	84 01 1 004 005	shoulder bolt	70 110 04 005	1	1	1	1	1	1	1
6	84 10 2 099 209	spacer, idler pulley 1/4"	71 020 99 209	1	1	1	1	1	1	1
7		* bolt, hex.hd. 3/8"-16-1"		1	1	1	1	1	1	1
8		* bolt, hex.hd. 3/8"-16x1-1/2"		3	3	3	3	3	3	3
9		* bolt, hex.hd. 3/8"-16x1-3/4"		2	2	2	2	2	2	2
10		* bolt, hex.hd. 1/2-20-1"		1	1	1	1	1	1	1
11		* bolt 8mm-1.25x30mm		2	2	2	2	2	2	2
12	84 01 1 004 006	bolt 8mm-1.25x60mm	70 110 04 006	1	1	1	1	1	1	1
13		* bolt 8mm-1.25x100mm		2	2	2	2	2	2	2
14		* bolt 10mm-150x25mm		1	1	1	1	1	1	1
15		* nut 3/8"-16		1	1	1	1	1	1	1
16		* lockwasher 5/16"		5	5	5	5	5	5	5
17		* lockwasher 3/8"		6	6	6	6	6	6	6
18		* flat washer 3/8"		1	1	1	1	1	1	1
19		* lockwasher 10mm		1	1	1	1	1	1	1
20		* star washer 1/2"		1	1	1	1	1	1	1
21	84 02 0 200 017	rubber spacer	70 202 00 017	10	10	10	10	10	10	10
22	84 04 1 200 013	steel sleeve	70 412 00 013	5	5	5	5	5	5	5
23	84 04 1 300 013	washer	70 413 00 013	10	10	10	10	10	10	10
24	84 19 0 300 077	ground cable	70 930 00 077	1	1	1	1	1	1	1
25	84 01 3 300 249	drive belt	70 133 00 249	1	1	1	1	1	1	1
26	84 01 1 204 039	spacer 3/16"	70 112 04 039			1	1	1	1	1
27	84 01 0 320 016	Ni lower radiator hose	70 138 02 005	1	1	1	1	1	1	1



Pos.	BMW PART NUMBER:	Description:	BEHR PART NUMBER:	77	78	79	80	81	82	83
1	64 53 1 361 704	condenser	70 362 04 305	1	1					
2	84 01 0 103 014	tube, condenser - drier	70 101 03 014	1	1					
3	84 01 2 300 001	drier	70 123 03 001	1	1					
4	84 01 0 204 017	bracket, drier mounting	70 102 04 017	1	1					
4	84 01 0 204 026	(1) bracket, drier mounting	70 102 04 026	1	1					
5	84 01 0 404 004	clamp	70 104 04 004	2	2					
5	84 01 0 404 001	clamp	70 104 04 001	1	1					
6	*	screw		7	7					
7	84 01 3 003 005	hose, drier - evaporator	70 130 03 005	1	1					
8	*	screw		1	1					
9	84 01 0 504 003	clamp	70 105 04 003	1	1					
10	*	nut		1	1					
11	84 01 0 102 002	caterpillar grommet	70 101 02 002	1	1					
12	84 01 3 503 012	hose, compressor - condenser	70 135 03 012	1	1					
13	84 01 3 803 007	N/A hose, evaporator - compressor	70 138 03 007	1	1					
13	84 01 3 803 015	Ni hose, suction w./muffler	70 138 03 015	1	1					
14	64 53 1 357 128	clamp	70 105 04 001	1	1					
15	64 52 1 354 981	core	70 633 00 469	3	3					
16	64 52 1 354 962	cap	70 633 00 479	3	3					
17	84 01 0 103 016	tube, suction	70 101 03 016	1	1					
18	64 21 4 774 144	grommet	70 201 00 027	1	1					
19	64 53 1 360 157	tube, liquid	70 305 10 275	1	1					
19	84 01 0 103 022	(1) tube, liquid to evaporator	70 101 03 022	1	1					
20	63 12 8 071 754	grommet	70 201 00 399	1	1					
21	84 01 1 309 001	Ty-rap	70 113 09 011	2	2					
21	84 01 1 309 003	Ty-rap	70 113 09 003	1	1					
22	*	washer		2	2					
23	84 01 0 404 002	clamp	70 104 04 002	2	2					



Pos.	BMW PART NUMBER:	Description:	BEHR PART NUMBER:								
				77	78	79	80	81	82	83	
25	64 51 1 352 023	resistor	70 915 00 319	1	1						
26	*	bolt hex. hd.		2	2						
27	*	washer		4	4						
28	*	lockwasher		2	2						
29	*	nut, hex.		2	2						
30	84 01 0 104 065	bracket, evaporator	70 107 04 065	1	1						
31	*	screw, slotted hex.hd.		6	6						
32	*	hex.hd. screw		2	2						
33	84 01 1 104 005	clip	70 111 04 005	4	4						
34	84 01 0 204 015	bracket, evaporator	70 102 04 015	1	1						
35	84 01 7 403 002	evaporator coil	70 174 03 002	1	1						
36	84 03 7 403 635	tube, liquid	70 374 03 635	1	1						
37	84 04 0 500 152	clamp	70 405 00 152	1	1						
38	64 53 1 350 489	gasket	70 311 00 039	1	1						
39	64 53 1 354 379	expansion valve	70 322 00 109	1	1						
40	64 53 1 350 490	gasket	70 311 00 029	1	1						
41	64 53 1 356 906	gasket	70 311 00 019	1	1						
42	*	screw, phil. truss hd.		6	6						
43	*	screw, phil. truss hd.		8	8						
44	84 01 1 104 001	clip "J"	70 111 04 001	8	8						
45	84 01 0 204 020	bracket, rear console	70 102 04 020	1	1						
46	*	washer		2	2						
47	64 51 1 356 039	drain grommet	70 101 02 008	1	1						
48	84 04 0 100 722	resistor shield	70 407 00 722	1	1						



BMW 320i /77-80
BMW 320iA /77-80

**Replacement
Parts List
For VPD
Air Conditioner**

Distributed by: **BMW OF NORTH AMERICA, INC.**

BMW PART NO. 91 00 0 000 000
Printed in USA 8/79 VPL 901 301

NOTE DIFFERENT A/C COND. LINES ON Pg 12 SOME 1980'S

DISTRIBUTED BY:

BMW OF NORTH AMERICA, INC.

- MONTVALE
NEW JERSEY 07845
PHONE: (201) 573-2000 TELEX: 134521
- 12541 BEATRICE STREET
LOS ANGELES, CALIFORNIA 90066
PHONE: (213) 390-6201 TELEX: 652317
- 3522 LA REUNION PARKWAY
DALLAS, TEXAS 75212
PHONE: (214) 630-7482 TELEX: 730352

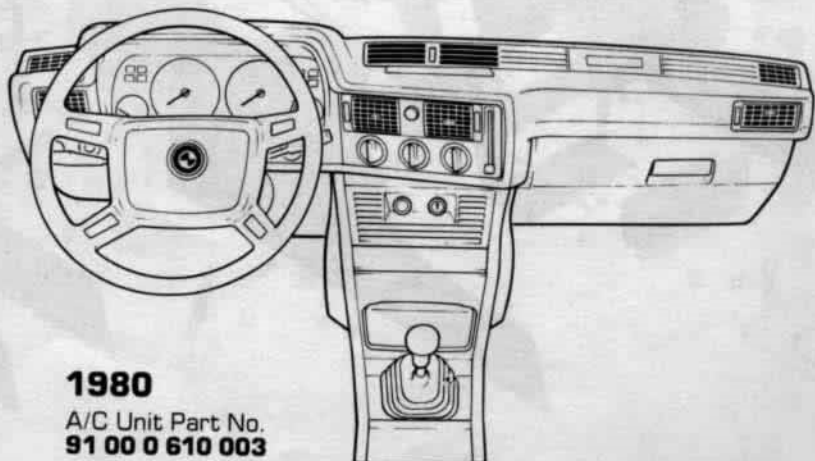
TABLE OF CONTENTS

1977-79 EVAPORATOR, CONSOLE AND SIDE PANELS	2
1980 EVAPORATOR	3
1977-80 MOUNT AND DRIVE	9
1977-79 CONDENSER, RECEIVER-DRIER, HOSES AND HEAT SHIELD	12
1980 CONDENSER, RECEIVER-DRIER, HOSES AND TUBING	12
1977-80 EVAPORATOR SERIAL NO. LABEL LOCATION	16
1977-80 A/C INSTALLATION LITERATURE REQUIREMENTS	16
PART NO. CROSS-REFERENCE LISTING (BMW TO VPD)	17



1977-79

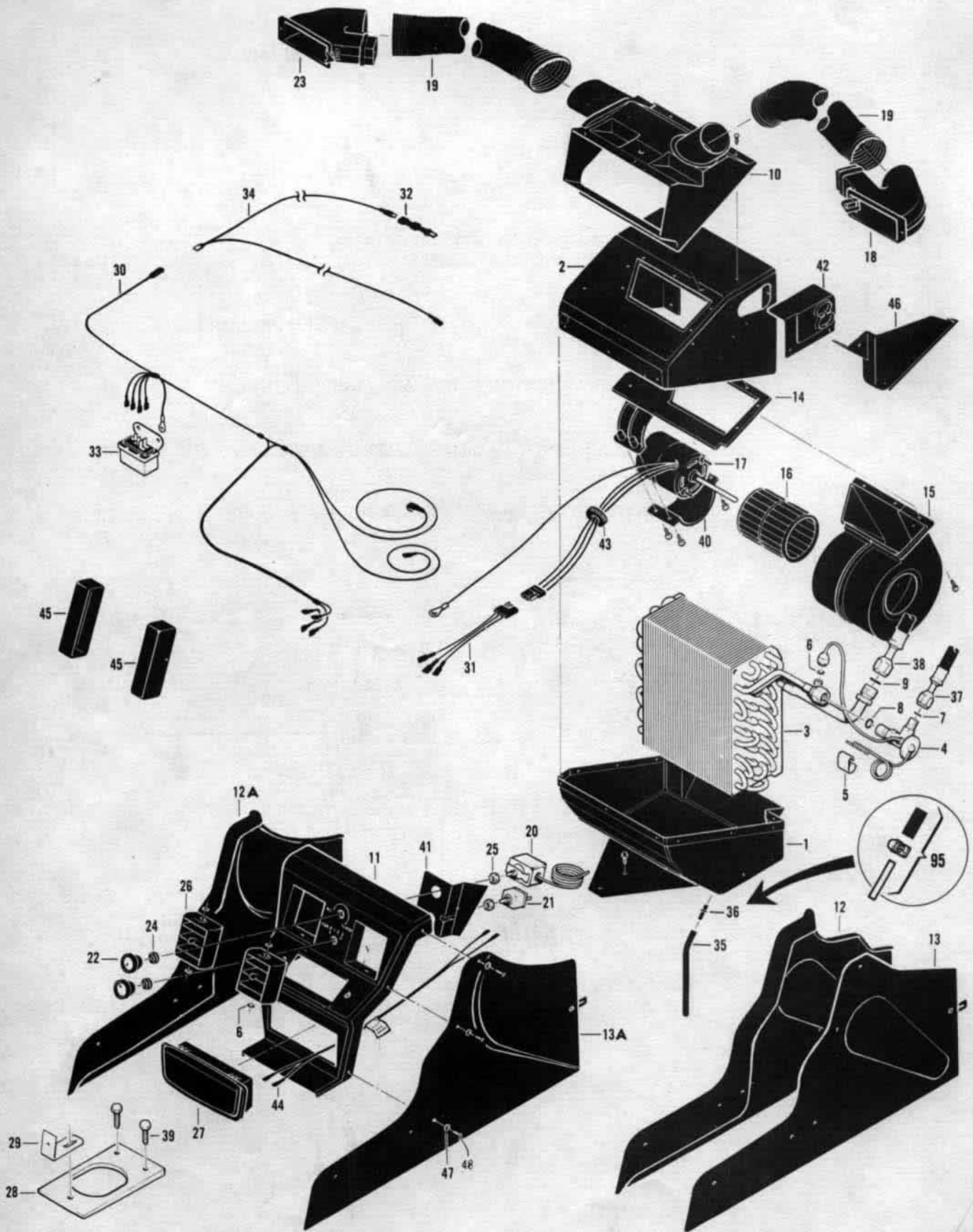
A/C Unit Part No.
91 00 0 610 001



1980

A/C Unit Part No.
91 00 0 610 003

1977-80 BMW 320i/320iA AIR CONDITIONER PARTS LIST



1977-79 EVAPORATOR, CONSOLE AND SIDE PANELS

1977-80 BMW 320i/320iA AIR CONDITIONER PARTS LIST

POS.	PART NO.	DESCRIPTION	DIM./SPECS.	MODEL YEAR			
				77	78	79	80
1	91 00 0 610 002	Case bottom	inclu. drain stub (up to evap. serial #13712583)	1	1	1	
1	91 00 0 610 016	Case bottom	incl. drain stub (from evap. serial #13712583)	1	1	1	
2	91 00 0 610 033	Case top	(up to evap. serial #13712583)	1	1	1	
2	91 00 0 610 655	Case top	(from evap. serial #13712583)	1	1	1	
3	91 00 0 610 010	Coil, evap.		1	1	1	
4	91 00 0 427 057	Exp. valve		1	1	1	
5	91 00 0 213 011	Clamp, thermal bulb		1	1	1	
6	91 00 0 425 704	Seal, #4 o-ring		5	5	5	1
7	91 00 0 425 706	Seal, #6 o-ring		4	4	4	2
8	91 00 0 425 708	Seal, #8 o-ring		2	2	2	1
9	91 00 0 425 710	Seal, #10 o-ring		1	1	1	1
10	91 00 0 610 034	Nozzle assembly	(up to evap. serial #12712583)	1	1	1	
10	91 00 0 610 663	Nozzle assembly	(from evap. serial #13712583)	1	1	1	
11	91 00 0 610 090	Panel, center console		1	1	1	
12	91 00 0 610 097	Panel, left console	(match style with illustration)	1	1	1	
12A	91 00 0 610 810	Panel, left console	(match style with illustration)	1	1	1	
13	91 00 0 610 098	Panel, right console	(match style with illustration)	1	1	1	
13A	91 00 0 610 811	Panel, right console	(match style with illustration)	1	1	1	
14	91 00 0 610 820	Panel, motor mount		1	1	1	
15	91 00 0 253 017	Housing, fan motor		1	1	1	

1977-80 EVAPORATOR, CONSOLE AND SIDE PANELS

1977-80 BMW 320i/320iA AIR CONDITIONER PARTS LIST

POS.	PART NO.	DESCRIPTION	DIM./SPECS.	MODEL YEAR			
				77	78	79	80
16	91 00 0 253 018	Blower wheel		1	1	1	
17	91 00 0 610 020	Motor, fan		1	1	1	
18	91 00 0 610 073	Housing, louver, rt.		1	1	1	
19	91 00 0 610 470	Hose, air	2.3 feet	1	1	1	
20	91 00 0 740 060	Thermostat		1	1	1	
21	91 00 0 743 050	Switch, fan	84 09 0 600 509	1	1	1	
22	84 07 0 302 309 84 51 1 356 021	Knob, switch		2	2	2	
23	91 00 0 610 077	Housing, louver, left		1	1	1	
24	91 00 0 610 088	Nut, switch		2	2	2	
25	91 00 0 401 620	Nut, jam		2	2	2	
26	91 00 0 430 084	Louver		2	2	2	
27	51 16 1 848 880	Ashtray		1	1	1	
28	25 16 1 205 694	Wedge, gearshift	auto. trans. only	1	1	1	
29	91 00 0 610 062	Bracket, gearshift	auto. trans. only	1	1	1	
30	91 00 0 610 505	Wiring harness, main		1	1	1	
31	91 00 0 610 502	Wiring harness, fan motor		1	1	1	
32	91 00 0 610 507	Diode		1	1	1	1
33	91 00 0 743 157	Relay, heater		1	1	1	1
34	91 00 0 610 512	Wire, diode		1	1	1	
35	91 00 0 418 025	Hose, drain		.3'	.3'	.3'	.5'
36	91 00 0 227 007	Stub, drain		1	1	1	2
37	91 00 0 610 415	Hose, evap. - comp.		1	1	1	
38	91 00 0 610 410	Hose, rec. - drier - evap.		1	1	1	
39	91 00 0 610 601	Screw, sheet metal	5/16" x 1-1/4" sms hex head	2	2	2	
40	91 00 0 610 821	Clamp, motor		1	1	1	

1977-80 EVAPORATOR, CONSOLE AND SIDE PANELS

1977-80 BMW 320i/320iA AIR CONDITIONER PARTS LIST

POS.	PART NO.	DESCRIPTION	DIM./SPECS.	MODEL YEAR			
				77	78	79	80
41	91 00 0 610 029	Air deflector	(from evap. serial #13712583)	1	1	1	
42	91 00 0 610 022	Cover, evap. manifold	(from evap. serial #13712583)	1	1	1	
43	91 00 0 220 600	Grommet, wiring		1	1	1	
44	91 00 0 610 503	Wiring harness, ashtray	(from evap. serial #13712583)	1	1	1	
45	91 00 0 610 048	Fresh air cap		2	2	2	
46	91 00 0 610 049	Cover, exp. valve		1	1	1	
47	91 00 0 610 615	Washer, finishing		6	6	6	
48	91 00 0 250 624	Screw, sheet metal	#6 x 1-1/2" phillips flat head	6	6	6	
49	91 00 0 611 008	Case bottom	(includes insulation & brackets)				1
50	91 00 0 611 021	Case top	(includes insulation & brackets)				1
51	91 00 0 611 010	Coil, Evaporator					1
52	91 00 0 428 059	Exp. valve					1
53	91 00 0 611 540	Resistor					1
54	91 00 0 179 280	Bracket, resistor					1
55	91 00 0 611 544	Shield, resistor					1
56	91 00 0 225 640	Locknut	#10-32 Nylock				1
57	91 00 0 861 006	Screw, machine	#10-32 x 3/8" Plain Hex Washer head, Cad. Plated				1
58	91 00 0 611 502	Wire harness, Motor/Resistor					1
59	91 00 0 611 020	Motor, Evap.					1
60	91 00 0 225 025	Gasket, motor					1
61	91 00 0 401 012	Mount, motor					1
62	91 00 0 424 027	Washer, motor mount					1
63	91 00 0 225 614	Kepnut	#10-32				4
64	91 00 0 213 074	Blower wheel					1

1977-80 EVAPORATOR, CONSOLE AND SIDE PANELS

1977-80 BMW 320i/320iA AIR CONDITIONER PARTS LIST

POS.	PART NO.	DESCRIPTION	DIM./SPECS.	MODEL YEAR			
				77	78	79	80
65	91 00 0 611 029	Panel, mounting	(includes insulation)				1
66	91 00 0 611 019	Blower Housing	(includes insulation)				1
67	91 00 0 611 048	Adapter duct					1
68	91 00 0 611 062	Bracket, Evap., left upper					1
69	91 00 0 611 064	Bracket, evap., right upper					1
70	91 00 0 611 426	Tube, #6, liquid					1
71	91 00 0 611 425	Tube, #6, liquid					1
72	91 00 0 611 416	Tube, suction					1
73	91 00 0 611 440	Insulation, suc. line	1-1/3 ft. } Spared in 2' Lengths				1
74	61 13 1366 841.4	Tab Housing (3 position)	(BMA 611 533)				1
75	91 00 0 610 608	Tie, Black					3
76	91 00 0 213 715	Clamp, #6	Insulated, 3/8" I.D.				2
77	91 00 0 611 608	Clip, Tinnerman					4
78	91 00 0 611 025	Tube, Drain					2
79	91 00 0 611 059	Bracket, Thermostat					1
80	91 00 0 611 070	Evap. mounting bracket, rear					1
81	91 00 0 611 080	Knob, thermostat					1
82	91 00 0 611 060	Thermostat					1
83	91 00 0 611 501	Wire harness, relay					1
84	91 00 0 611 503	Wire harness, Diode					1
85	91 00 0 611 531	Tab Housing, single					1
86	91 00 0 213 714	Clamp, #16	Insulated, 1" I.D.				1
87	61 13 1 356 312.3	Grommet, liquid line	(BMA 611 602)				1
88	00 00 9 893 109.4	Grommet, suction line	(BMA 611 601)				1
89	91 00 0 650 806	Screw, machine	#8-32 x 3/8" Phillips flat head (black)				4

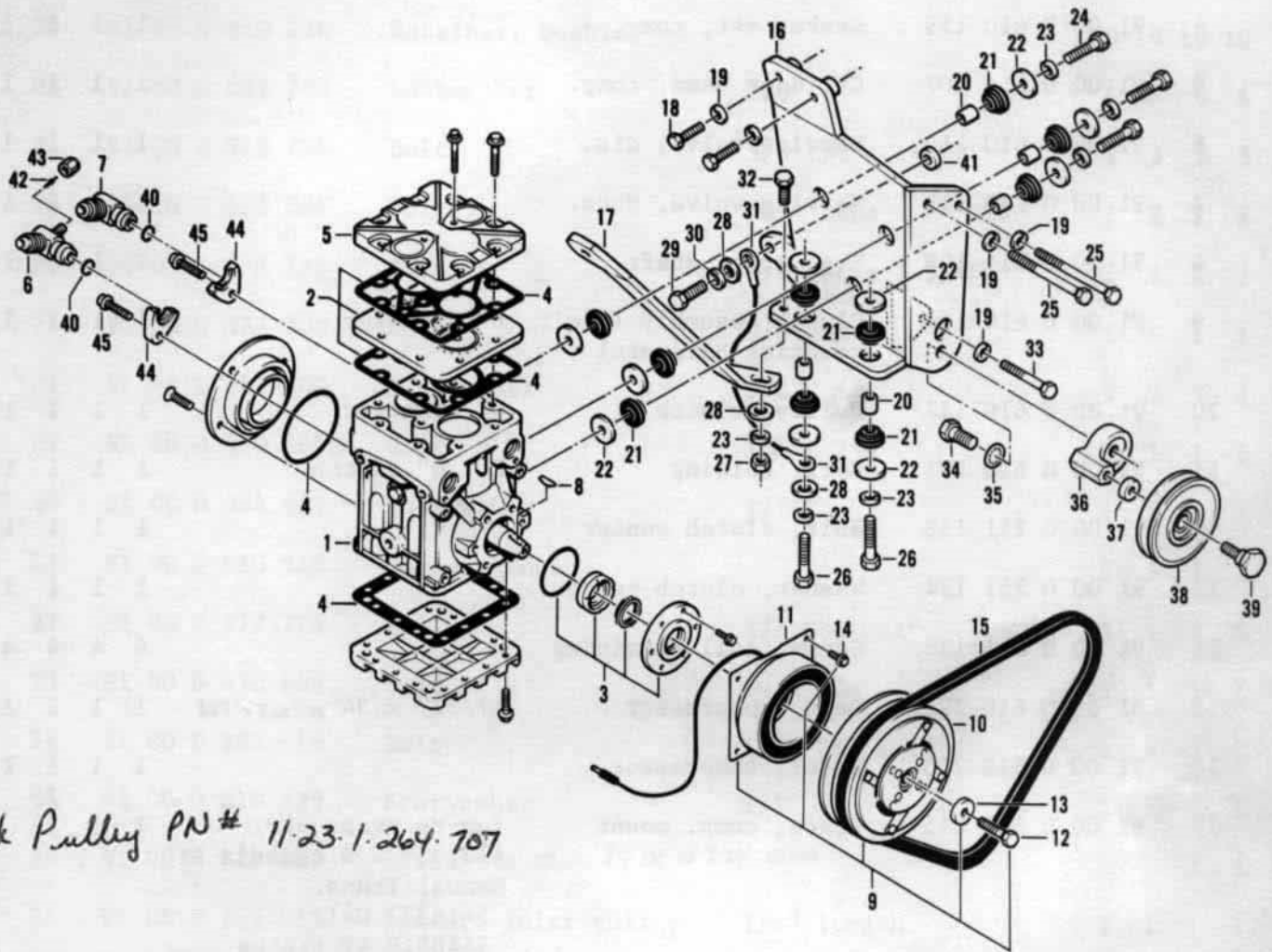
1977-80 EVAPORATOR, CONSOLE AND SIDE PANELS

1977-80 BMW 320i/320iA AIR CONDITIONER PARTS LIST

POS.	PART NO.	DESCRIPTION	DIM./SPECS.	MODEL YEAR			
				77	78	79	80
90	91 00 0 460 808	Screw, sheet metal	#8 x 1/2" plain hex washer head sms cad. plated				8
91	91 00 0 461 012	Screw, sheet metal	#10 x 3/4" plain hex washer head sms, cad. plated				2
92	91 00 0 460 812	Screw, sheet metal	#8 x 3/4" plain hex washer head sms, cad. plated				3
93	91 00 0 210 806	Screw, sheet metal	#8 x 3/8" Phillips pan head sms (black)				12
94	91 00 0 460 816	Screw, sheet metal	#8 x 1" plain hex washer head, cad. plated				2
95	91 00 0 611 932	Kit, Evaporator Drain Tube				1	1 1

1977-80 EVAPORATOR, CONSOLE AND SIDE PANELS

1977-80 BMW 320i/320iA AIR CONDITIONER PARTS LIST



Crank Pulley PN# 11-23-1-264-707

1977-80 MOUNT AND DRIVE (WITH MAPCO MOUNT)

1977-80 BMW 320i/320iA AIR CONDITIONER PARTS LIST

POS.	PART NO.	DESCRIPTION	DIM./SPECS.	MODEL YEAR			
				77	78	79	80
1	91 00 0 610 100	Compressor	9 cu. in. (w/o valves)	1	1	1	1
	91 00 0 610 105	Compressor	9 cu. in. (w/valves)	1	1	1	1
2	91 00 0 610 118	Kit, valve plate		1	1	1	1
3	91 00 0 232 299	Kit, shaft seal		1	1	1	1
4	91 00 0 610 119	Gasket set, comp.		1	1	1	1
5	91 00 0 610 107	Cylinder head, comp.		1	1	1	1
6	91 00 0 610 110	Service valve, dis.		1	1	1	1
7	91 00 0 610 115	Service valve, suct.		1	1	1	1
8	91 00 0 214 108	Key, comp. shaft		1	1	1	1
9	91 00 0 610 130	Clutch assembly (incl. mounting hardware)	6" diameter	1	1	1	1
10	91 00 0 610 132	Pulley, clutch	6" diameter	1	1	1	1
11	91 00 0 610 131	Coil, holding	For 6" clutch	1	1	1	1
12	91 00 0 251 133	Bolt, clutch center		1	1	1	1
13	91 00 0 251 134	Washer, clutch center		1	1	1	1
14	91 00 0 251 136	Screw, coil retaining		4	4	4	4
15	91 00 0 610 222	Belt, compressor	17/32" x 34" <i>125V 868</i>	1	1	1	1
16	91 00 0 610 205	Mount, compressor		1	1	1	1
17	91 00 0 610 215	Brace, comp. mount	(up to evap. ser. #13723672 & chassis #: Manual Trans. 5416377 Cal. 5448519 49 states Automatic Trans. 5467229 Cal. 5479851 49 states)	1	1	1	
17	91 00 0 610 216	Brace, comp. mount	(from evap. ser. #13723672 & chassis #: Manual Trans. 5416377 Cal. 5448519 49 states Automatic Trans. 5467229 Cal. 5479851 49 states)				1 1
18	91 00 0 408 600	Bolt	8m x 30m	2	2	2	2

1977-80 MOUNT AND DRIVE (WITH MAPCO MOUNT)

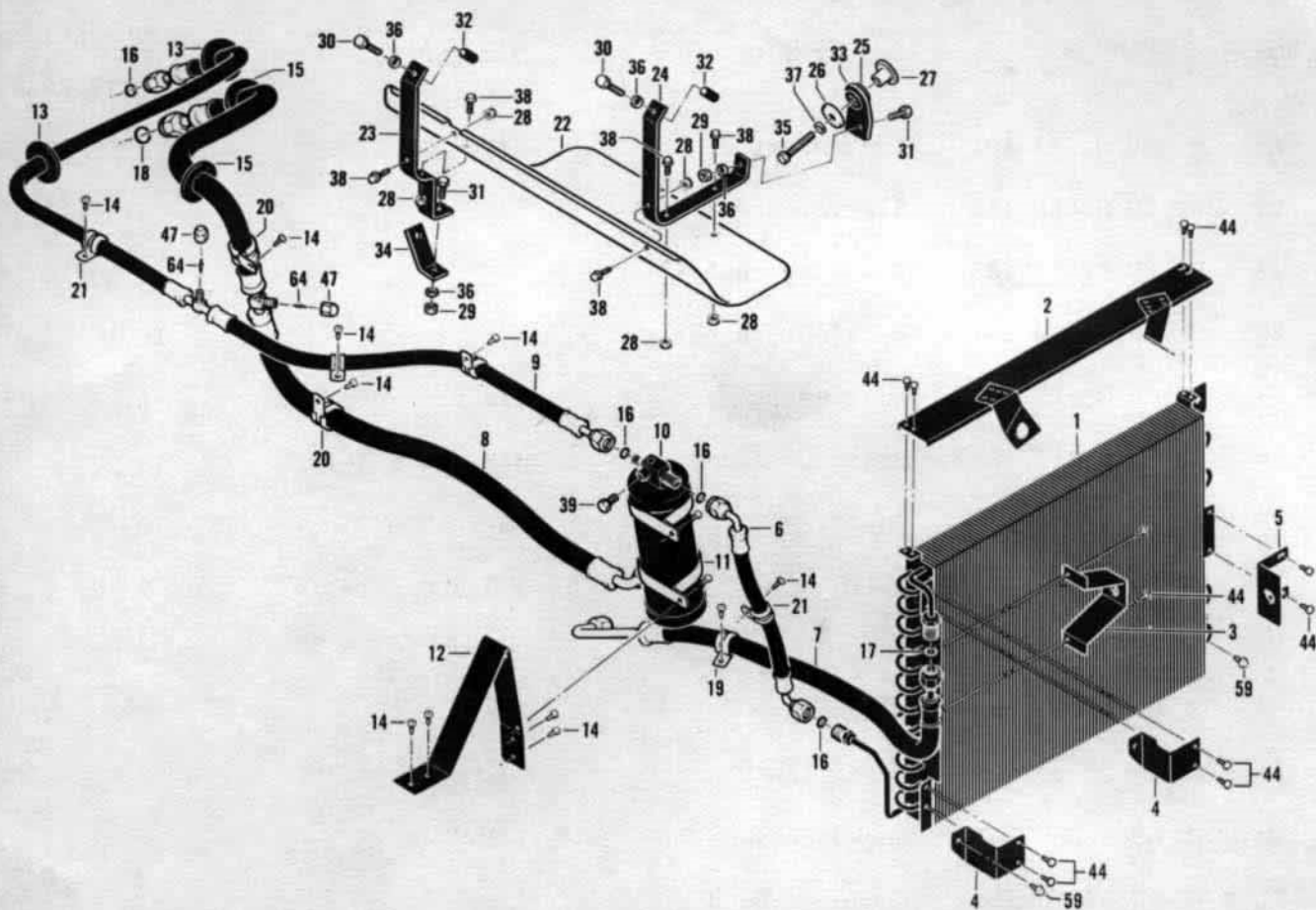
1977-80 BMW 320i/320iA AIR CONDITIONER PARTS LIST

POS.	PART NO.	DESCRIPTION	DIM./SPECS.	MODEL YEAR			
				77	78	79	80
19	91 00 0 023 101	Lockwasher	5/16"	5	5	5	5
20	91 00 0 610 232	Sleeve, steel		5	5	5	5
21	91 00 0 610 233	Bushing, rubber		10	10	10	10
22	91 00 0 610 234	Retainer, bushing		10	10	10	10
23	91 00 0 023 702	Lockwasher	3/8"	6	6	6	6
24	91 00 0 973 724	Bolt	3/8 UNC x 1-1/2"	3	3	3	3
25	91 00 0 610 606	Bolt	8m x 100m	2	2	2	2
26	91 00 0 973 728	Bolt	3/8 UNC x 1-3/4"	2	2	2	2
27	91 00 0 573 700	Nut	3/8 UNC	1	1	1	1
28	91 00 0 013 700	Flatwasher	3/8"	3	3	3	3
29	91 00 0 430 605	Bolt	10m x 25m	1	1	1	1
30	91 00 0 034 402	Lockwasher	7/16"	1	1	1	1
31	91 00 0 610 515	Cable, ground		1	1	1	1
32	91 00 0 973 716	Bolt	3/8 UNC x 1"	1	1	1	1
33	91 00 0 430 604	Bolt	8m x 60m	1	1	1	1
34	91 00 0 995 016	Bolt	1/2" UNF x 1"	1	1	1	1
35	91 00 0 610 235	Starwasher	1/2"	1	1	1	1
36	91 00 0 210 001	Eccentric <i>or 84 01 0704 070</i>		1	1	1	1
37	91 00 0 919 951	Spacer, idler pulley	1/4" length	1	1	1	1
38	91 00 0 210 025	Pulley, idler <i>or 84 06 2 501 109</i>		1	1	1	1
39	91 00 0 210 020	Bolt, shoulder		1	1	1	1
40	91 00 0 610 101	Seal, o-ring		2	2	2	2
41	91 00 0 610 239	Spacer, mount	3/16" thick			*1	1
42	91 00 0 452 111	Valve Core, Schrader		3	3	3	2
43	91 00 0 443 117	Valve cap		3	3	3	2
44	91 00 0 610 102	Yoke, valve clamp		2	2	2	2
45	91 00 0 610 117	Bolt, yoke		2	2	2	2

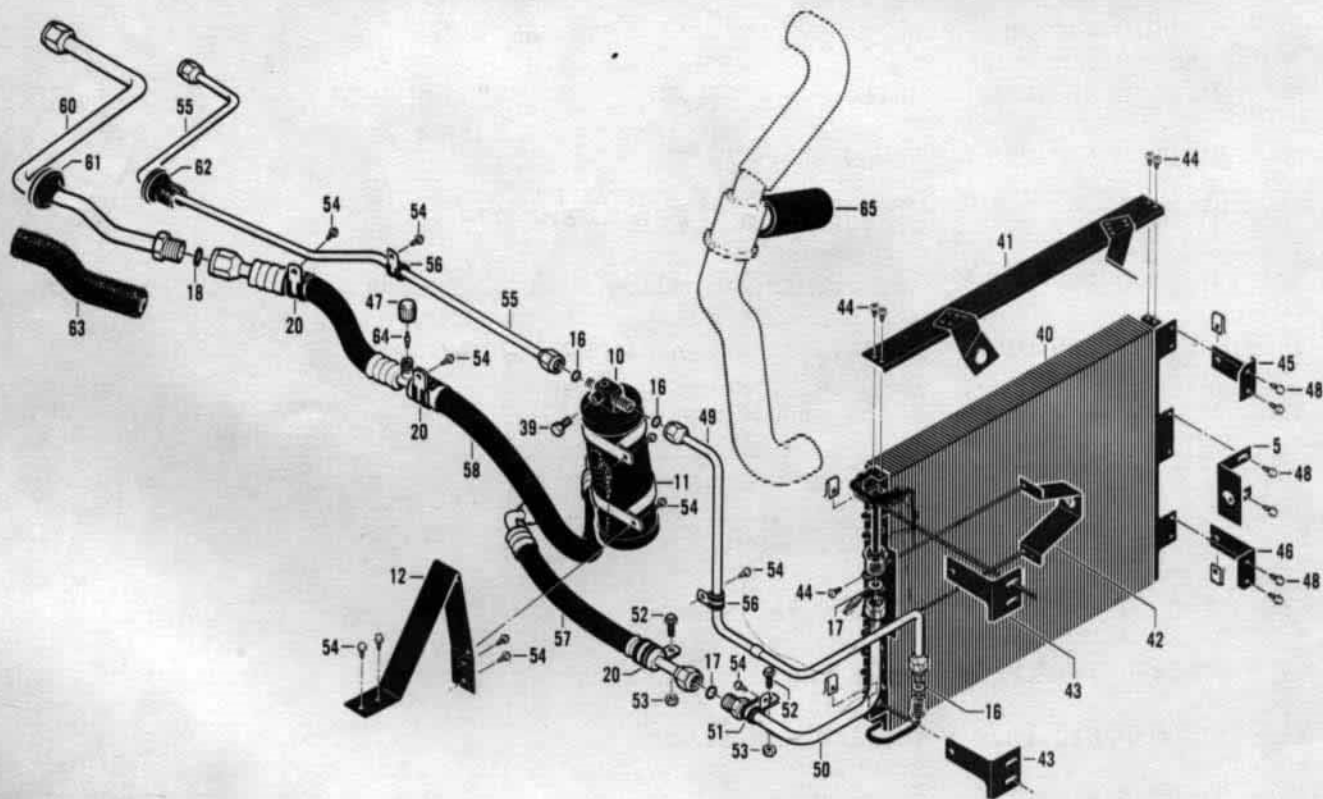
1977-80 MOUNT AND DRIVE (WITH MAPCO MOUNT)

*late 1979 models

1977-80 BMW 320i/320iA AIR CONDITIONER PARTS LIST



1977-79 CONDENSER, RECEIVER-DRIER, HOSES AND HEAT SHIELD



1980 CONDENSER, RECEIVER-DRIER, HOSES AND TUBING

1977-80 BMW 320i/320iA AIR CONDITIONER PARTS LIST

POS.	PART NO.	DESCRIPTION	DIM./SPECS.	MODEL YEAR			
				77	78	79	80
1	91 00 0 610 310	Coil, condenser		1	1	1	
2	91 00 0 610 312	Bracket, cond. top		1	1	1	
3	91 00 0 610 320	Bracket, cond. right center		1	1	1	
4	91 00 0 610 350	Bracket, cond. rt.		2	2	2	
5	91 00 0 610 321	Bracket, con. left center		1	1	1	1
6	91 00 0 610 405	Hose, cond. - rec. - drier		1	1	1	
7	91 00 0 610 400	Hose, comp. - cond.		1	1	1	
8	91 00 0 610 415	Hose, evap. - comp.		1	1	1	
9	91 00 0 610 410	Hose, rec. - drier - evaporator		1	1	1	
10	91 00 0 428 432	Receiver-drier		1	1	1	
11	91 00 0 213 579	Clamp, rec. - drier		2	2	2	
12	91 00 0 610 435	Bracket, rec. - drier		1	1	1	
13	91 00 0 215 711	Grommet, #6		2	2	2	
14	91 00 0 200 810	Screw, Sheet metal	#8 x 5/8 phillips pan head	13	13	13	
15	91 00 0 215 714	Grommet, #10		2	2	2	
16	91 00 0 425 706	Seal, #6 o-ring		4	4	4	3
17	91 00 0 425 708	Seal, #8 o-ring		2	2	2	2
18	91 00 0 425 710	Seal, #10 o-ring		1	1	1	1
19	91 00 0 226 402	Clamp	#14, 7/8" I.D.	1	1	1	
20	91 00 0 213 714	Clamp	#16, 1" I.D.	2	2	2	3
21	91 00 0 225 701	Clamp	#11, 11/16" I.D.	4	4	4	
22	91 00 0 610 620	Heat shield		1	1	1	
23	91 00 0 610 623	Bracket, heat shield, rear		1	1	1	
24	91 00 0 610 624	Brkt. heat shield, front		1	1	1	

1977-80 CONDENSER, RECEIVER-DRIER, HOSES, TUBING AND HEAT SHIELD

1977-80 BMW 320i/320iA AIR CONDITIONER PARTS LIST

POS.	PART NO.	DESCRIPTION	DIM./SPECS.	MODEL YEAR			
				77	78	79	80
25	91 00 0 251 236	Bushing, rubber		1	1	1	
26	91 00 0 251 237	Retainer, bushing		1	1	1	
27	91 00 0 251 238	Guide, bushing		1	1	1	
28	91 00 0 225 614	Keptonut	#10-32	5	5	5	
29	91 00 0 424 617	Nut	6m	2	2	2	
30	91 00 0 430 600	Bolt	6m x 35m, hex head	2	2	2	
31	91 00 0 434 360	Bolt	6m x 20m, hex head	2	2	2	
32	91 00 0 610 617	Spacer, heat shield		2	2	2	
33	91 00 0 610 621	Bracket, heat shield to engine (bushing not included)		1	1	1	
34	91 00 0 610 622	Bracket, heat shield to manifold		1	1	1	
35	91 00 0 761 606	Bolt	8m x 45m, hex head	1	1	1	
36	91 00 0 022 502	Lockwasher	1/4"	4	4	4	
37	91 00 0 023 101	Lockwasher	3/16"	1	1	1	
38	91 00 0 861 008	Screw, machine	#10-32 x 1/2" hex washer head	5	5	5	
39	91 00 0 236 430	Fusible Plug		1	1	1	1
40	91 00 0 611 310	Coil, condenser					1
41	91 00 0 611 312	Top plate					1
42	91 00 0 611 320	Bracket, cond. right center					1
43	91 00 0 611 326	Bracket, cond. Rt.					2
44	91 00 0 210 806	Screw, Sheet metal	#8 x 3/8" phillips pan head (black)	12	12	12	6
45	91 00 0 611 328	Bracket, cond. Left upper					1
46	91 00 0 611 329	Bracket, Cond. Lower left					1
47	91 00 0 443 117	Valve cap		3	3	3	2

1977-80 CONDENSER, RECEIVER-DRIER, HOSES, TUBING AND HEAT SHIELD

1977-80 BMW 320i/320ia AIR CONDITIONER PARTS LIST

POS.	PART NO.	DESCRIPTION	DIM./SPECS.	MODEL YEAR			
				77	78	79	80
48	91 00 0 460 806	Screw, sheet metal	#8 x 3/8" plain hex washer head, cad. plated				6
49	{ 91 00 0 611 411 91 00 0 611 406	Tube, #6, liquid <i>if different than shown</i>					1
50	{ 91 00 0 611 412 91 00 0 611 401	Tube, discharge <i>if different than shown</i>					1
51	91 00 0 611 670	Clamp, discharge tube	special				1
52	91 00 0 861 012	Screw, machine	#10-32 x 3/4" Hex washer head, cad. plated				2
53	91 00 0 225 614	Kepnut	#10-32				2
54	91 00 0 460 810	Screw, sheet metal	#8 x 5/8" Hex washer head, cad. plated				12
55	91 00 0 611 425	Tube, #6 liquid					1
56	91 00 0 213 715	Clamp, #6	3/8" I.D.				2
57	91 00 0 611 417	Hose, Discharge					1
58	91 00 0 611 415	Hose, suction					1
59	91 00 0 461 208	Screw, Sheet metal	#12 x 1/2" hex washer head, cad. plated	2	2	1	
60	91 00 0 611 416	Tube, suction					1
61	00 00 9 893 109.4	Grommet, suction line	(BMA 611 601)				1
62	61 13 1 356 312.3	Grommet, liquid line	(BMA 611 602)				1
63	91 00 0 611 440	Insulation, suc. line	.5 ft. } Spared in 2' Lengths				1
64	91 00 0 452 111	Valve core, Schrader		3	3	3	2
65	91 00 0 611 231	Hose, radiator	3-1/2" Length				1

1977-80 CONDENSER, RECEIVER-DRIER, HOSES, TUBING AND HEAT SHIELD

1977-79 SERIAL NO. LABEL LOCATION

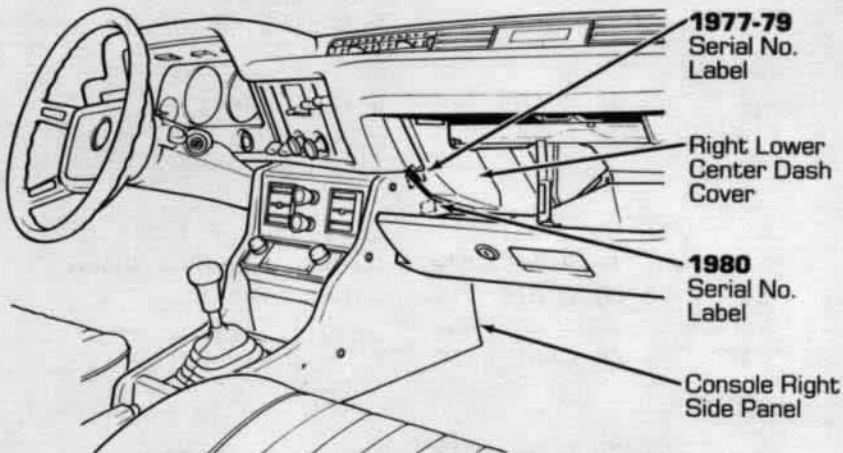
The Evaporator Serial Number Label is affixed to upper right side of evaporator. Remove Right Lower Center Dash Cover to gain access to label.

On some vehicles, it may be necessary to remove Right Console Side Panel to gain access to label.

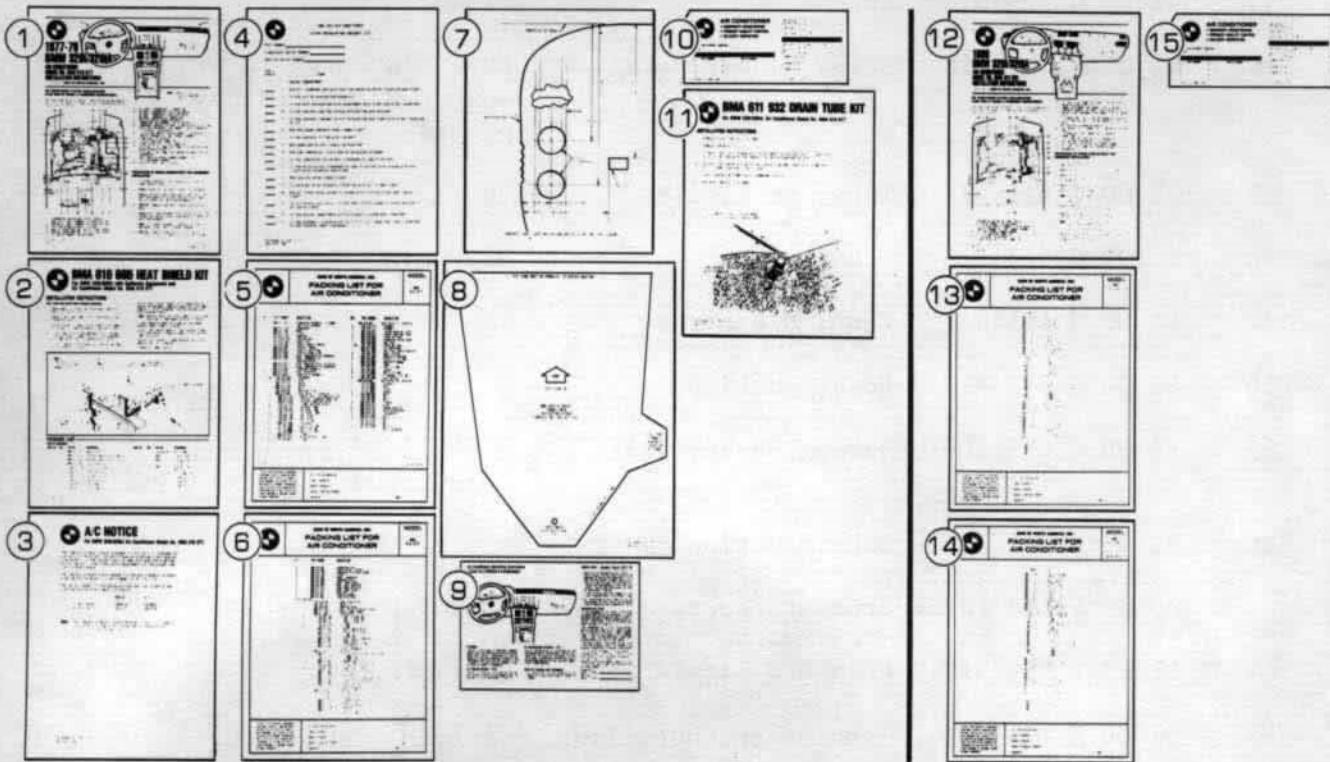
The Evaporator Serial Number should be shown on the Owner's Manual Insert also.

1980 SERIAL NO. LABEL LOCATION

The Evaporator Serial Number Label is affixed to right side of evaporator. The Right Console Side Panel must be removed to gain access to label.



1977-80 EVAPORATOR SERIAL NO. LABEL LOCATION



1977-79 A/C INSTALLATION LITERATURE REQUIREMENTS

VPD I.D. No.

- 1. Basic A/C Installation Instructions VPL 610 771B (12/78)
- 2. Heat Shield Installation Instructions/
Packing List VPL 610 773A (12/78)
- 3. A/C Notice (Concerns new compressor mount
brace for late 1979 vehicles with
RH aluminum engine mount) VPL 610 782 (1/79)
- 4. A/C Installation Check List VPL 610 780 (10/77)
- 5. A/C Unit Packing List
(Single Pack) VPL 610 761B (12/78)
- 6. A/C Unit Packing List (Two Pack) VPL 610 763A (9/79)
- 7. Template, Firewall VPL 610 733 (—)
- 8. Template, Tunnel Insulation
Removal VPL 610 791 (11/78)

- 9. Owner's Manual Insert
(Operating Instructions) VPL 610 790C (4/79)
- 10. Warranty Registration Card VPL 610 751 (9/77)
- 11. Evaporator Drain Tube Kit
Installation Instruc. VPL 611 773 (9/79)

1980 A/C INSTALLATION LITERATURE REQUIREMENTS

VPD I.D. No.

- 12. Basic A/C Installation
Instructions VPL 611 771A (10/79)
- 13. A/C Unit Packing List (Single Pack) VPL 611 763 (8/79)
- 14. A/C Unit Packing List (Two Pack) ... VPL 611 762 (8/79)
- 15. Warranty Registration Card VPL 610 751 (9/77)

Note: The listed I.D. Numbers and Dates represent the latest document at time of printing Parts List.

1977-80 A/C LITERATURE REQUIREMENTS

1977-80 BMW 320i/320iA AIR CONDITIONER PARTS LIST

BMW PART NO.	VPD PART NO.	DESCRIPTION	DIM/SPECS.
00 00 9 893 109.4	BMA 611 601	Grommet, Suction Line	
25 16 1 205 694	BMA 610 600	Wedge, Gearshift	Auto Trans. Only
51 16 1 848 880	BMA 610 609	Ash Tray	
61 13 1 356 312.3	BMA 611 602	Grommet, Liquid Line	
61 13 1 366 841.4	BMA 611 533	Tab Housing, 3 position	
64 51 1 356 021	BMA 610 080	Knob, switch	
91 00 0 013 700	VPC 01 3700	Flatwasher	3/8"
91 00 0 022 502	VPC 02 2502	Lockwasher	1/4"
91 00 0 023 101	VPC 02 3101	Lockwasher	3/16"
91 00 0 023 702	VPC 02 3702	Lockwasher	3/8"
91 00 0 034 402	VPC 03 4402	Lockwasher	7/16"
91 00 0 179 280	VWA 179 280	Bracket, resistor	
91 00 0 200 810	VPC 20 0810	Screw, sheet metal	#8 x 5/8" Phillips pan head
91 00 0 210 001	CCC 21 0001	Eccentric	
91 00 0 210 020	CCC 21 0020	Bolt, shoulder	
91 00 0 210 025	CCC 21 0025	Pulley, idler	
91 00 0 210 806	VPC 210 806	Screw, sheet metal	#8 x 3/8" Phillips pan head sms (black)
91 00 0 213 011	ZVW 213 011	Clamp, Thermal bulb	
91 00 0 213 074	ZVW 213 074	Blower Wheel	
91 00 0 213 579	ZVW 213 579	Clamp rec. - drier	
91 00 0 213 714	ZVW 213 714	Clamp, #16	Insulated, 1" I.D.
91 00 0 213 715	ZVW 213 715	Clamp, #6	Insulated, 3/8" I.D.
91 00 0 214 108	ZVW 214 108	Key, Comp. shaft	
91 00 0 215 711	ZVW 215 711	Grommet, #6	
91 00 0 215 714	ZVW 215 714	Grommet, #10	
91 00 0 220 600	ZVW 220 600	Grommet, wiring	
91 00 0 225 025	ZVW 225 025	Gasket, motor	
91 00 0 225 614	ZVW 225 614	Keypnut	#10-32
91 00 0 225 640	ZVW 225 640	Locknut	#10-32 Nylock
91 00 0 225 701	ZVW 225 701	Clamp	#11, 11/16" I.D.
91 00 0 226 402	ZVW 226 402	Clamp	#14, 7/8" I.D.
91 00 0 227 007	ZVW 227 007	Stub, Drain	
91 00 0 232 299	ZVW 232 299	Kit, shaft seal	
91 00 0 236 430	ZPW 236 430	Fusible Plug	
91 00 0 250 624	VPC 25 0624	Screw, sheet metal	#6 x 1 1/2" Phillips flathead
91 00 0 251 133	ZAW 251 133	Bolt, clutch center	

PART NO. CROSS-REFERENCE LISTING (BMW TO VPD)

1977-80 BMW 320i/320iA AIR CONDITIONER PARTS LIST

BMW PART NO.	VPD PART NO.	DESCRIPTION	DIM/SPECS.
91 00 0 251 134	ZAW 251 134	Washer, clutch center	
91 00 0 251 136	ZAW 251 136	Screw, coil retaining	
91 00 0 251 236	ZAW 251 236	Bushing, rubber	
91 00 0 251 237	ZAW 251 237	Retainer, bushing	
91 00 0 251 238	ZAW 251 238	Guide, bushing	
91 00 0 251 702	ZAW 251 702	Grommet, drain tube	
91 00 0 253 017	ZAW 253 017	Housing, Fan motor	
91 00 0 253 018	ZAW 253 018	Blower Wheel	
91 00 0 401 012	ZVW 401 012	Mount, motor	
91 00 0 401 620	ZVW 401 620	Nut, jam	
91 00 0 408 600	ZAW 408 600	Bolt	8m x 30m
91 00 0 418 025	ZVW 418 025	Hose Drain	
91 00 0 424 617	ZVW 424 617	Nut	6m
91 00 0 424 027	ZVW 424 027	Washer, motor mount	
91 00 0 425 704	ZVW 425 704	Seal, #4 o-ring	
91 00 0 425 706	ZVW 425 706	Seal, #4 o-ring	
91 00 0 425 708	ZVW 425 708	Seal, #8 o-ring	
91 00 0 425 710	ZVW 425 710	Seal, #10 o-ring	
91 00 0 427 057	ZAW 427 057	Exp. valve	
91 00 0 428 059	ZAW 428 059	Exp. valve	
91 00 0 428 432	ZAW 428 432	Receiver-drier	
91 00 0 430 084	ZVW 430 084	Louver	
91 00 0 430 600	ZVW 430 600	Bolt	6m x 35m hex head
91 00 0 430 604	ZVW 430 604	Bolt	8m x 60m
91 00 0 430 605	ZVW 430 605	Bolt	10m x 25m
91 00 0 434 360	ZVW 434 360	Bolt	6m x 20m hex head
91 00 0 443 117	ZVW 443 117	Valve cap	
91 00 0 452 111	ZVW 452 111	Valve core, schrader	
91 00 0 460 806	VPC 46 0806	Screw, sheet metal	#8 x 3/8" hex washer head, cad. plated
91 00 0 460 808	VPC 46 0808	Screw, sheet metal	#8 x 1/2" hex washer head, cad. plated
91 00 0 460 810	VPC 46 0810	Screw, sheet metal	#8 x 5/8" hex washer head, cad. plated
91 00 0 460 816	VPC 46 0816	Screw, sheet metal	#8 x 1" hex washer head, cad. plated
91 00 0 461 012	VPC 46 1012	Screw, sheet metal	#10 x 3/4" hex washer head, cad. plated

1977-80 BMW 320i/320iA AIR CONDITIONER PARTS LIST

BMW PART NO.	VPD PART NO.	DESCRIPTION	DIM/SPECS.
91 00 0 461 208	VPC 46 1208	Screw, sheet metal	#12 x 1/2" hex washer head cad. plated
91 00 0 573 700	VPC 57 3700	Nut	3/8" UNC
91 00 0 610 001	BMA 610 677	1977-79 A/C Unit	Single Pack
91 00 0 610 002	BMA 610 002	Case bottom (w/drain stub)	(up to evap. S/N 12712583)
91 00 0 610 003	BMA 611 681	1980 A/C Unit	Single Pack
91 00 0 610 010	BMA 610 010	Coil, evap.	
91 00 0 610 016	BMA 610 016	Case bottom (w/drain stub)	(from evap. S/N 13712583)
91 00 0 610 020	BMA 610 020	Motor, fan	
91 00 0 610 022	BMA 610 022	Cover, evap. manifold	from evap. serial # 13712583
91 00 0 610 029	BMA 610 029	Air deflector	from evap. serial # 13712583
91 00 0 610 033	BMA 610 033	Case top	up to evap. serial # 13712583
91 00 0 610 034	BMA 610 034	Nozzel assembly	up to evap. serial # 13712583
91 00 0 610 048	BMA 610 048	Fresh air cap	
91 00 0 610 049	BMA 610 049	Cover, Exp. valve	
91 00 0 610 062	BMA 610 062	Bracket, gearshift	Auto. trans. only
91 00 0 610 073	BMA 610 073	Housing, louver, right	
91 00 0 610 077	BMA 610 077	Housing, louver, left	
91 00 0 610 088	BMA 610 088	Nut, switch	
91 00 0 610 090	BMA 610 090	Panel, center console	
91 00 0 610 097	BMA 610 097	Panel, left console	Match style with illustration
91 00 0 610 098	BMA 610 098	Panel, right console	Match style with illustration
91 00 0 610 100	BMA 610 100	Compressor	9 cu. in.-Without fittings
91 00 0 610 105	BMA 610 105	Compressor	9 cu. in.-With fittings
91 00 0 610 101	BMA 610 101	Seal, O-ring	
91 00 0 610 102	BMA 610 102	Yoke, valve clamp	
91 00 0 610 107	BMA 610 107	Cylinder head, comp	
91 00 0 610 110	BMA 610 110	Service valve, disc.	
91 00 0 610 115	BMA 610 115	Service valve, suct.	
91 00 0 610 117	BMA 610 117	Bolt, yoke	
91 00 0 610 118	BMA 610 118	Kit, valve plate	
91 00 0 610 119	BMA 610 119	Gasket set, comp.	

PART NO. CROSS-REFERENCE LISTING (BMW TO VPD)

1977-80 BMW 320i/320iA AIR CONDITIONER PARTS LIST

BMW PART NO.	VPD PART NO.	DESCRIPTION	DIM/SPECS.
91 00 0 610 130	BMA 610 130	Clutch assembly (incl. mounting hardware)	6" diameter
91 00 0 610 131	BMA 610 131	Coil, holding for 6" clutch	
91 00 0 610 132	BMA 610 132	Pulley, clutch	6" diameter
91 00 0 610 205	BMA 610 205	Mount, compressor	
91 00 0 610 215	BMA 610 215	Brace, comp. mount	up to evap. ser. # 13723672 and chasis #: Manual Trans. 5416377 Cal., 5448519 49 states. Automatic Trans. 5467229 Cal., 5479851 49 states..
91 00 0 610 216	BMA 610 216	Brace, comp. mount	As above except "from"
91 00 0 610 222	BMA 610 222	Belt, compressor	17/32" x 34"
91 00 0 610 232	BMA 610 232	Sleeve, steel	
91 00 0 610 233	BMA 610 233	Bushing, rubber	
91 00 0 610 234	BMA 610 234	Retainer, bushing	
91 00 0 610 235	BMA 610 235	Starwasher	1/2"
91 00 0 610 239	BMA 610 239	Spacer, mount	3/16" thick
91 00 0 610 310	BMA 610 310	Coil, condenser	
91 00 0 610 312	BMA 610 312	Bracket, cond. top	
91 00 0 610 320	BMA 610 320	Bracket, cond. right center	
91 00 0 610 321	BMA 610 321	Bracket, cond. left center	
91 00 0 610 350	BMA 610 350	Bracket, cond. rt.	
91 00 0 610 400	BMA 610 400	Hose, comp. - cond.	
91 00 0 610 405	BMA 610 405	Hose, comp.-rec. drier	
91 00 0 610 410	BMA 610 410	Hose, rec. - drier evap.	
91 00 0 610 415	BMA 610 415	Hose, evap. - comp.	
91 00 0 610 435	BMA 610 435	Bracket, rec. - drier	
91 00 0 610 470	BMA 610 470	Hose, air	2.3 ft.
91 00 0 610 502	BMA 610 502	Wiring harness, fan motor	
91 00 0 610 503	BMA 610 503	Wiring harness, ashtray	from evap. serial # 13712583
91 00 0 610 505	BMA 610 505	Wiring harness, main	
91 00 0 610 507	BMA 610 507	Diode	
91 00 0 610 512	BMA 610 512	Wire, Diode	

1977-80 BMW 320i/320iA AIR CONDITIONER PARTS LIST

BMW PART NO.	VPD PART NO.	DESCRIPTION	DIM/SPECS.
91 00 0 610 515	BMA 610 515	Cable, ground	
91 00 0 610 601	BMA 610 601	Screw, sheet metal	5/16" x 1 1/4" sms. hex head
91 00 0 610 606	BMA 610 606	Bolt	8m x 100m
91 00 0 610 608	BMA 610 608	Tie, black	
91 00 0 610 615	BMA 610 615	Washer, finishing	
91 00 0 610 617	BMA 610 617	Spacer, heat shield	
91 00 0 610 620	BMA 610 620	Heat shield	
91 00 0 610 621	BMA 610 621	Bracket, heat shield to engine (bushing not included)	
91 00 0 610 622	BMA 610 622	Bracket, heat shield to manifold	
91 00 0 610 623	BMA 610 623	Bracket, heat shield, rear	
91 00 0 610 624	BMA 610 624	Bracket, heat shield, front	
91 00 0 610 655	BMA 610 655	Case top	from evap. serial #13712583
91 00 0 610 663	BMA 610 663	Nozzle assembly	from evap. serial #13712583
91 00 0 610 810	BMA 610 810	Panel, left console	match style with illustration
91 00 0 610 811	BMA 610 811	Panel, right console	match style with illustration
91 00 0 610 820	BMA 610 820	Panel, motor mount	
91 00 0 610 821	BMA 610 821	Clamp, motor	
91 00 0 611 008	BMA 611 008	Case Bottom	
91 00 0 611 010	BMA 611 010	Coil, Evaporator	
91 00 0 611 019	BMA 611 019	Blower Housing	
91 00 0 611 020	BMA 611 020	Motor, Evap.	
91 00 0 611 021	BMA 611 021	Case top	
91 00 0 611 025	BMA 611 025	Tube, drain	
91 00 0 611 029	BMA 611 029	Panel, mounting	With insulation
91 00 0 611 048	BMA 611 048	Adapter duct	
91 00 0 611 060	BMA 611 060	Thermostat	
91 00 0 611 062	BMA 611 062	Bracket, Evap. left upper	
91 00 0 611 064	BMA 611 064	Bracket, Evap. right upper	

PART NO. CROSS-REFERENCE LISTING (BMW TO VPD)

1977-80 BMW 320i/320iA AIR CONDITIONER PARTS LIST

BMW PART NO.	VPD PART NO.	DESCRIPTION	DIM/SPECS.
91 00 0 611 070	BMA 611 070	Evap. mounting bracket, rear	
91 00 0 611 080	BMA 611 080	Knob, thermostat	
91 00 0 611 231	BMA 611 231	Hose, radiator	3-1/2" Length
91 00 0 611 310	BMA 611 310	Coil, condenser	
91 00 0 611 312	BMA 611 312	Top plate	
91 00 0 611 320	BMA 611 320	Bracket, cond.	
91 00 0 611 326	BMA 611 326	Bracket, cond. Rt.	
91 00 0 611 328	BMA 611 328	Bracket, cond. left upper	
91 00 0 611 329	BMA 611 329	Bracket, cond. left lower	
91 00 0 611 411	BMA 611 411	Tube, #6, liquid	
91 00 0 611 412	BMA 611 412	Tube, discharge	
91 00 0 611 415	BMA 611 415	Hose, suction	
91 00 0 611 416	BMA 611 416	Tube, suction	
91 00 0 611 417	BMA 611 417	Hose, discharge	
91 00 0 611 425	BMA 611 425	Tube, #6 liquid	
91 00 0 611 426	BMA 611 426	Tube, #6 liquid	
91 00 0 611 440	BMA 611 440	Insulation, suc. line	
91 00 0 611 501	BMA 611 501	Wire harness, relay	
91 00 0 611 502	BMA 611 502	Wire harness, Motor/ Resistor	
91 00 0 611 503	BMA 611 503	Wire harness, Diode	
91 00 0 611 531	BMA 611 531	Tab Housing, single	
91 00 0 611 540	BMA 611 540	Resistor	
91 00 0 611 544	BMA 611 544	Shield, resistor	
91 00 0 611 608	BMA 611 608	Clip, Tinnerman	
91 00 0 611 670	BMA 611 670	Clamp, discharge tube	special
91 00 0 650 806	VPC 65 0806	Screw, machine	#8-32 x 3/8" Phillips flat head (black)
91 00 0 740 060	KAZ 740 060	Thermostat	
91 00 0 743 050	KAZ 743 050	Switch, fan	
91 00 0 743 157	KAZ 743 157	Relay, heater	
91 00 0 761 606	KTY 761 606	Bolt	8m x 45m, hex head
91 00 0 861 006	VPC 86 1006	Screw, machine	#10-32 x 3/8" Plain Hex washer head, cad, plated
91 00 0 861 008	VPC 86 1008	Screw, machine	#10-32 x 1/2" hex washer head, cad. plated
91 00 0 861 012	VPC 86 1012	Screw, machine	#10-32 x 3/4" Hex washer head, cad. plated

PART NO. CROSS-REFERENCE LISTING (BMW TO VPD)

1977-80 BMW 320i/320iA AIR CONDITIONER PARTS LIST

BMW PART NO.	VPD PART NO.	DESCRIPTION	DIM/SPECS.
91 00 0 919 951	CCC 91 9951	Spacer, idler pulley	½" length
91 00 0 973 716	VPC 97 3616	Bolt	3/8" UNC x 1"
91 00 0 973 724	VPC 97 3724	Bolt	3/8" UNC x 1½"
91 00 0 973 728	VPC 97 3728	Bolt	3/8" UNC x 1 3/4"
91 00 0 995 016	VPC 99 5016	Bolt	½" UNF x 1"